

# INSTALLATION INSTRUCTIONS

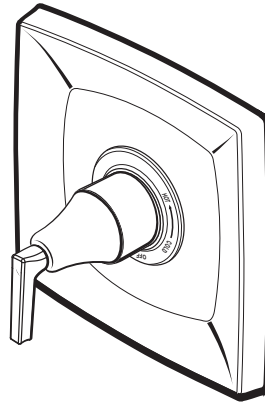


## Keefe® Pressure Balance Shower Valve Trim Kit

Model D35104500

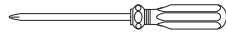
To be used with D35000500.191  
Pressure Balanced Shower Valve

*Thank you for selecting DXV. To ensure that your installation proceeds smoothly, please read these instructions carefully before you begin.*



### RECOMMENDED TOOLS AND MATERIALS

Most of the procedures require the use of common tools and materials, which are available from hardware and plumbing supply stores. It is essential that the tools and materials be on hand before work is begun.



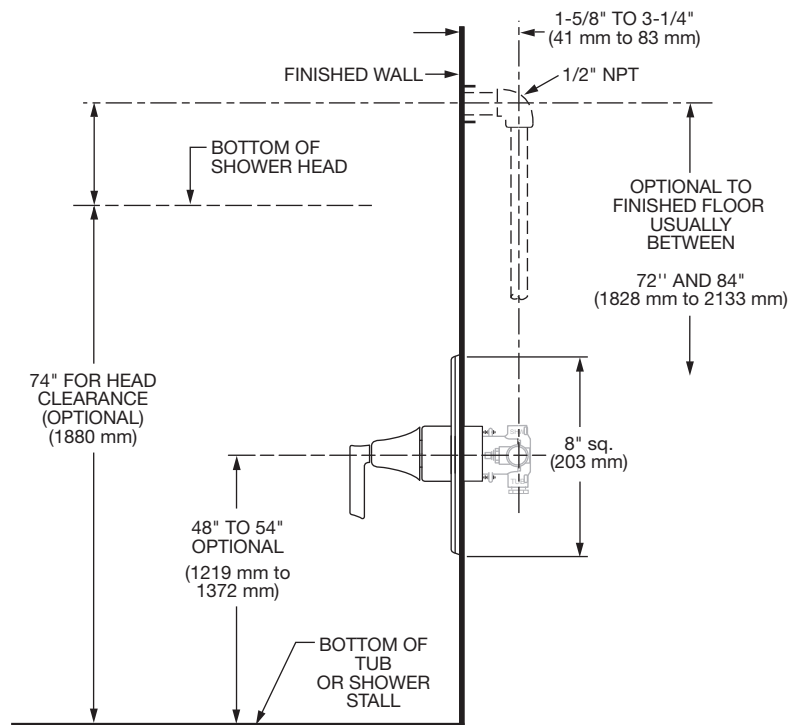
Phillips Screwdriver



Flat Blade Screwdriver

### ROUGHING-IN DIMENSIONS:

- For reference



#### In the United States:

DXV  
One Centennial Avenue  
Piscataway, New Jersey 08855  
Attention: Director of Customer Care

For residents of the United States, warranty information may also be obtained by calling the following toll free number: (800) 227-2734  
www.DXV.com

#### In Canada:

DXV  
5900 Avebury Road  
Mississauga, Ontario  
L5R 3M3  
Canada

Toll Free: 1-800-387-0369  
Local: 905-306-1093  
Fax: 1-800-395-1498  
www.DXV.ca

#### In Mexico:

DXV  
Via Morelos 330  
Col. Santa Clara Coatitla  
Ecatepec, Estado de México 55540

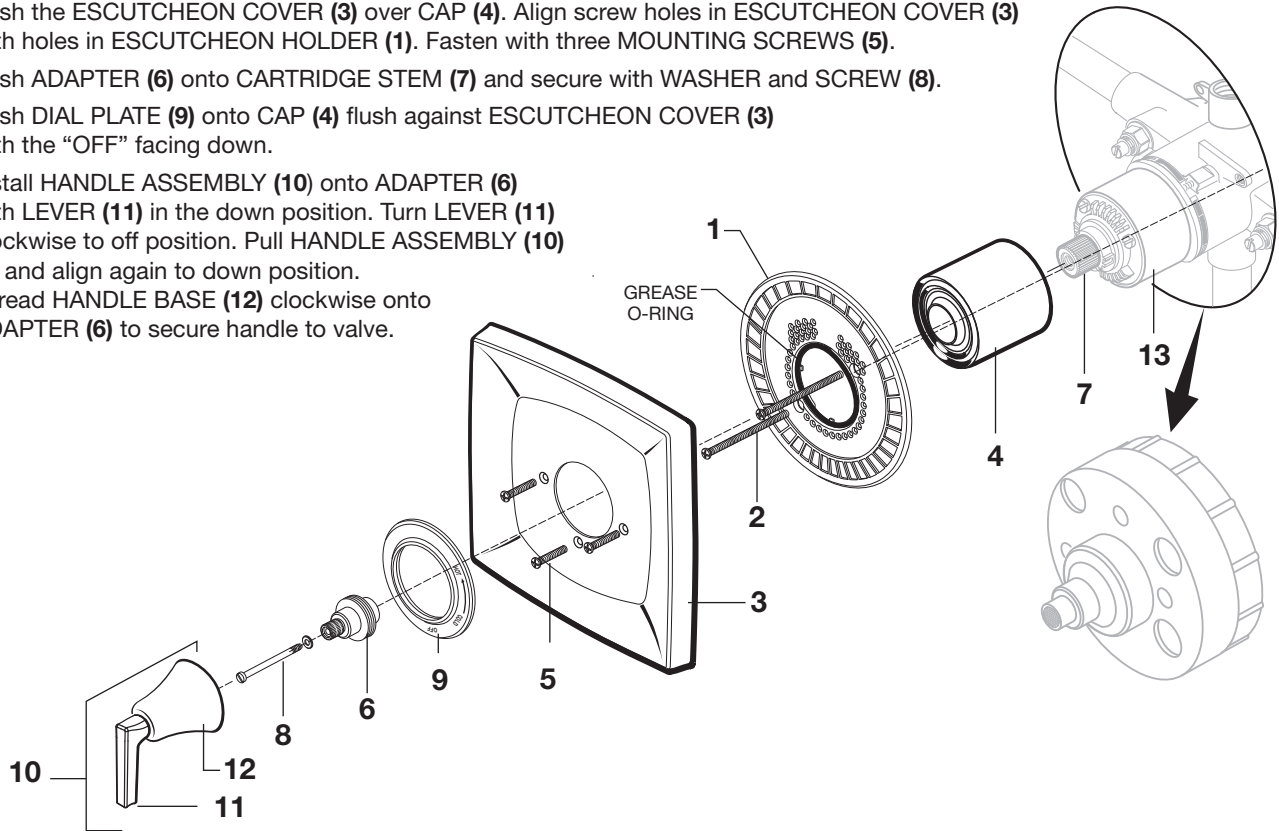
Toll Free: 01-800-8391200  
www.DXV.mx

SAVE FOR FUTURE USE

## 1 INSTALL TRIM

**CAUTION** Protect finish on SHOWER ARM and SHOWER HEAD when installing.

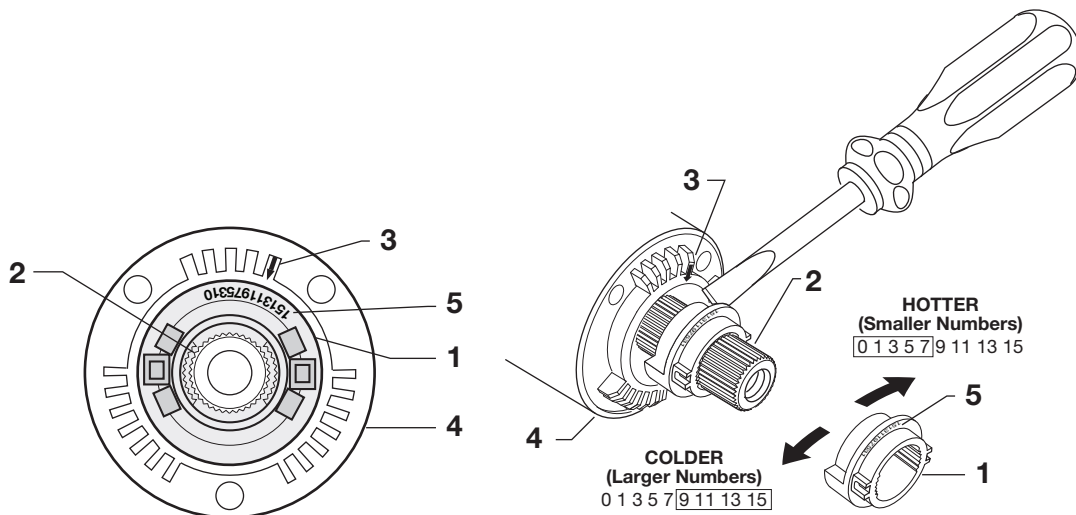
- Push CAP (4) over VALVE CARTRIDGE (13) until seated against stop.
- Mount ESCUTCHEON HOLDER (1) with gasket to fitting using two LONG SCREWS (2). Push the ESCUTCHEON COVER (3) over CAP (4). Align screw holes in ESCUTCHEON COVER (3) with holes in ESCUTCHEON HOLDER (1). Fasten with three MOUNTING SCREWS (5).
- Push ADAPTER (6) onto CARTRIDGE STEM (7) and secure with WASHER and SCREW (8).
- Push DIAL PLATE (9) onto CAP (4) flush against ESCUTCHEON COVER (3) with the "OFF" facing down.
- Install HANDLE ASSEMBLY (10) onto ADAPTER (6) with LEVER (11) in the down position. Turn LEVER (11) clockwise to off position. Pull HANDLE ASSEMBLY (10) off and align again to down position. Thread HANDLE BASE (12) clockwise onto ADAPTER (6) to secure handle to valve.



## 2 ADJUST HOT LIMIT STOP

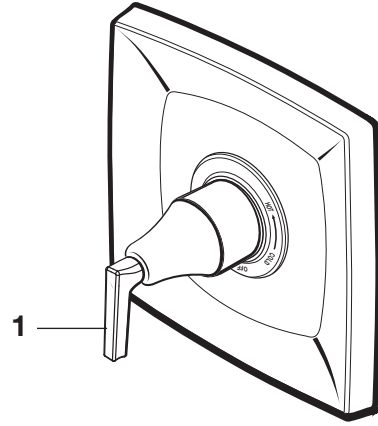
By restricting HANDLE rotation and limiting the amount of hot water allowed to mix with the cold, the HOT LIMIT SAFETY STOP (1) reduces risk of accidental scalding. To set the maximum hot water temperature of your faucet, all you need to do is adjust the setting on the HOT LIMIT SAFETY STOP (1).

- Turn CARTRIDGE STEM (2) to the OFF position (coldest setting) before making adjustment to HOT LIMIT SAFETY STOP (1). Use a flat blade screwdriver to pry free the HOT LIMIT SAFETY STOP (1). Pull forward and rotate counterclockwise one number to limit hot water temperature. Use ARROW (3) on CARTRIDGE (4) and NUMBERS (5) on HOT LIMIT SAFETY STOP (1) for indication.



### 3 TEST INSTALLED FITTING

- Turn VALVE “off”.
- With HANDLE (1) in “off” position, turn on water supplies and check all connections for leaks.
- Operate HANDLE and flush water lines thoroughly. Check the function for proper operation.



# DXV

## Keefe® Pressure Balanced Shower Valve Trim Kit

MODEL NUMBERS

**D35104500**

Replace the “YYY” with appropriate finish code

POLISHED CHROME	100
BRUSHED NICKEL	144

