

# INSTALLATION INSTRUCTIONS



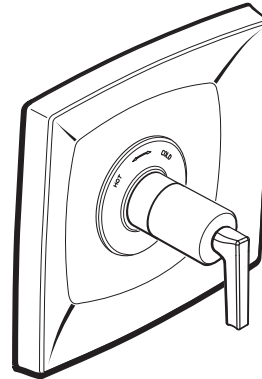
## Keefe® 1/2" (13 mm) & 3/4" (19 mm) Thermostatic Mixing Valve Trim Kit

Model D35104510

To be used with

D35000510.191 - 1/2" Thermostatic Mixing Valve

D35000530.191 - 3/4" Thermostatic Mixing Valve



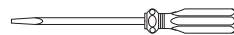
*Thank you for selecting DXV. To ensure that your installation proceeds smoothly, please read these instructions carefully before you begin.*

### RECOMMENDED TOOLS AND MATERIALS

Most of the procedures require the use of common tools and materials, which are available from hardware and plumbing supply stores. It is essential that the tools and materials be on hand before work is begun.



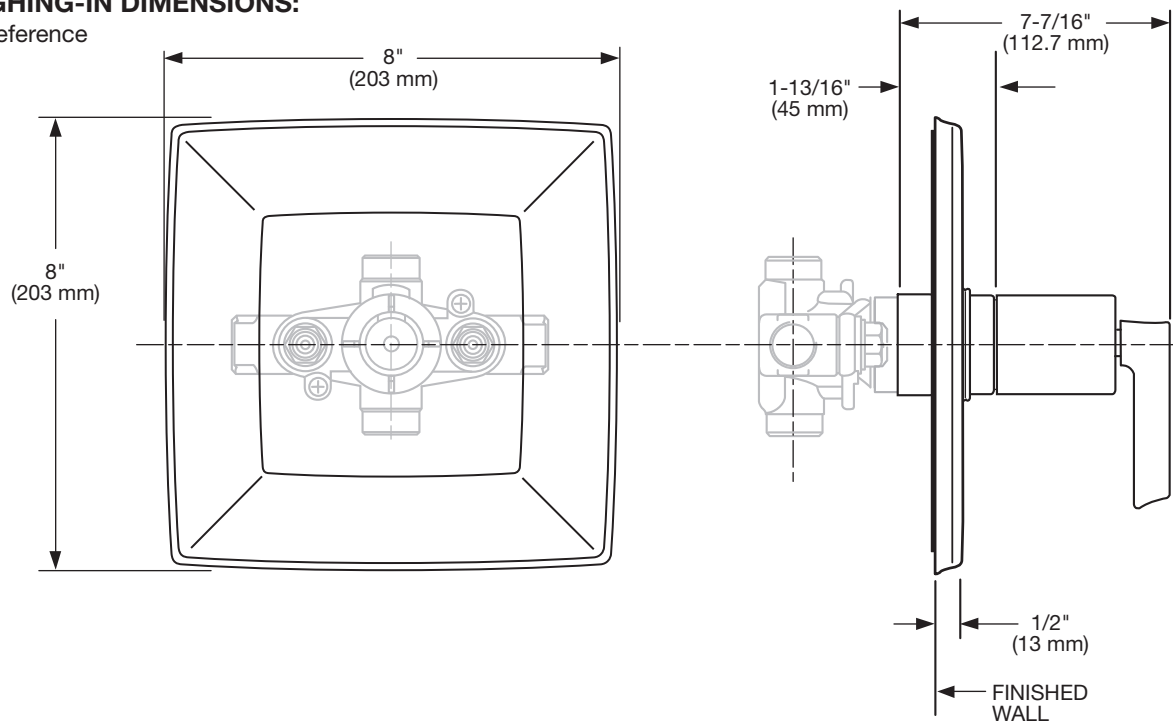
Phillips Screwdriver



Flat Blade Screwdriver

### ROUGHING-IN DIMENSIONS:

- For reference



#### In the United States:

DXV  
One Centennial Avenue  
Piscataway, New Jersey 08855  
Attention: Director of Customer Care

For residents of the United States, warranty information may also be obtained by calling the following toll free number: (800) 227-2734  
[www.DXV.com](http://www.DXV.com)

#### In Canada:

DXV  
5900 Avebury Road  
Mississauga, Ontario  
L5R 3M3  
Canada

Toll Free: 1-800-387-0369  
Local: 905-306-1093  
Fax: 1-800-395-1498  
[www.DXV.ca](http://www.DXV.ca)

#### In Mexico:

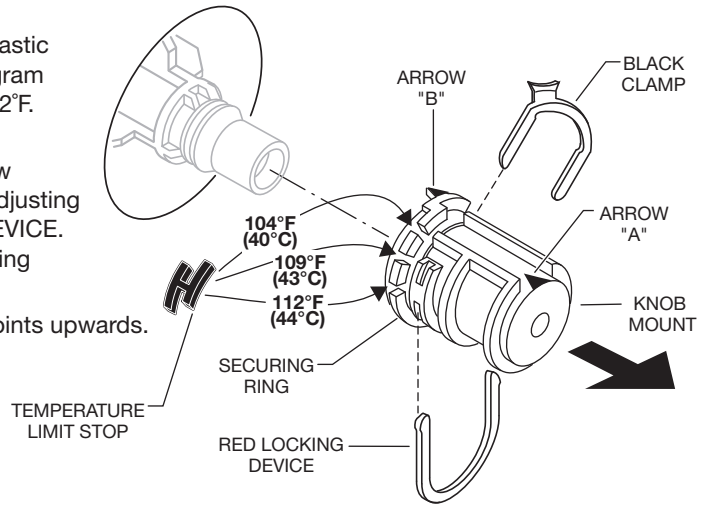
DXV  
Via Morelos 330  
Col. Santa Clara Coatlilla  
Ecatepec, Estado de México 55540

Toll Free: 01-800-8391200  
[www.DXV.mx](http://www.DXV.mx)

S A V E F O R F U T U R E U S E

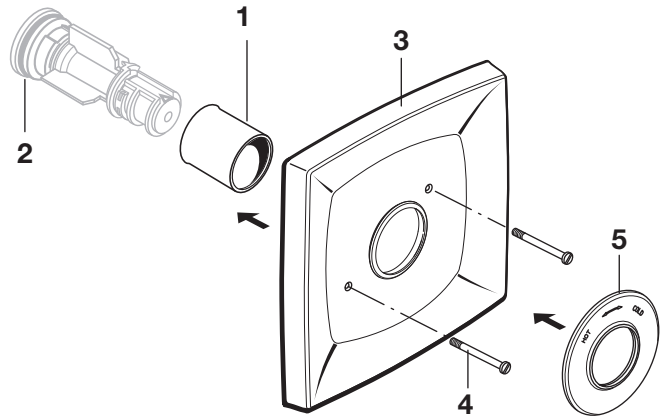
## 1 TEMPERATURE CALIBRATION

- Unscrew PLASTER GUARD SCREWS and remove PLASTER GUARD.
- Check that arrow marking "B" points vertically upwards. If not, push the BLACK CLAMP on the SECURING RING to the right, pull off KNOB MOUNT and reinstall KNOB MOUNT with arrow "B" pointing upwards.
- The maximum mixed water temperature is set at 109° F at the factory. This setting can be changed if desired.
- Remove the TEMPERATURE LIMIT STOP (H shaped Black Plastic part). Re-install it at the desired notch as indicated in the diagram to limit the maximum mixed water temperature to 104°F or 112°F.
- For 100°F adjustment, turn the water supply on. Turn KNOB MOUNT until the spout temperature is 100°F. Check that arrow marking "A" on the KNOB MOUNT still points upward after adjusting the thermostat to 100°F. If not, pull out the RED LOCKING DEVICE. Remove KNOB MOUNT by pulling it towards you while standing directly in front of the valve.
- Reinstall the KNOB MOUNT so that the arrow marking "A" points upwards.
- Reinstall RED LOCKING DEVICE.



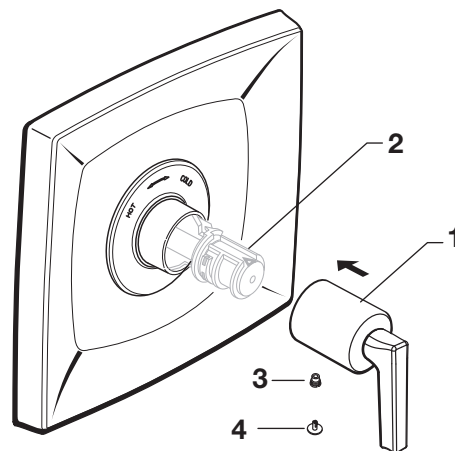
## 2 TRIM INSTALLATION

- Push CAP (1) over the O-RING SEAL (2).
  - Push ESCUTCHEON (3) over CAP (1) and secure with SCREWS (4).
  - Push the COVER (5) as shown (hot and cold to the TOP) over the CAP (1) and align prongs on COVER (5) with screw holes in ESCUTCHEON (3).
- Important!** Make sure COVER (5) snaps over the SCREWS (4).



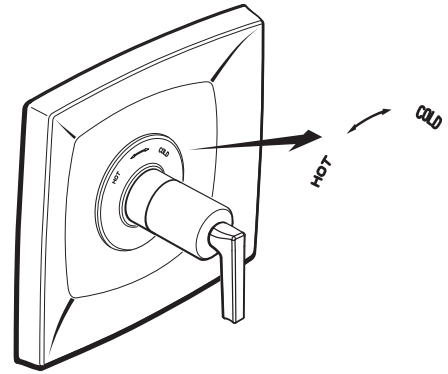
## 3 HANDLE INSTALLATION

- Push TEMPERATURE-CONTROL KNOB (1) onto KNOB MOUNT (2). Attach TEMPERATURE-CONTROL KNOB (1) to valve with ATTACHMENT SCREW (3). Push COVER (4) into the SCREW (3).



#### 4 OPERATING THE VALVE

- Turn to the left hand side (counterclockwise) for HOT.
- Turn to the right hand side (clockwise) for COLD.



# DXV

## Keefe® 1/2" (13mm) & 3/4" (19mm) Thermostatic Mixing Valve Shower Trim

MODEL NUMBER

**D35104510**

Replace the "YYY" with  
appropriate finish code

|                 |     |
|-----------------|-----|
| POLISHED CHROME | 100 |
| BRUSHED NICKEL  | 144 |

