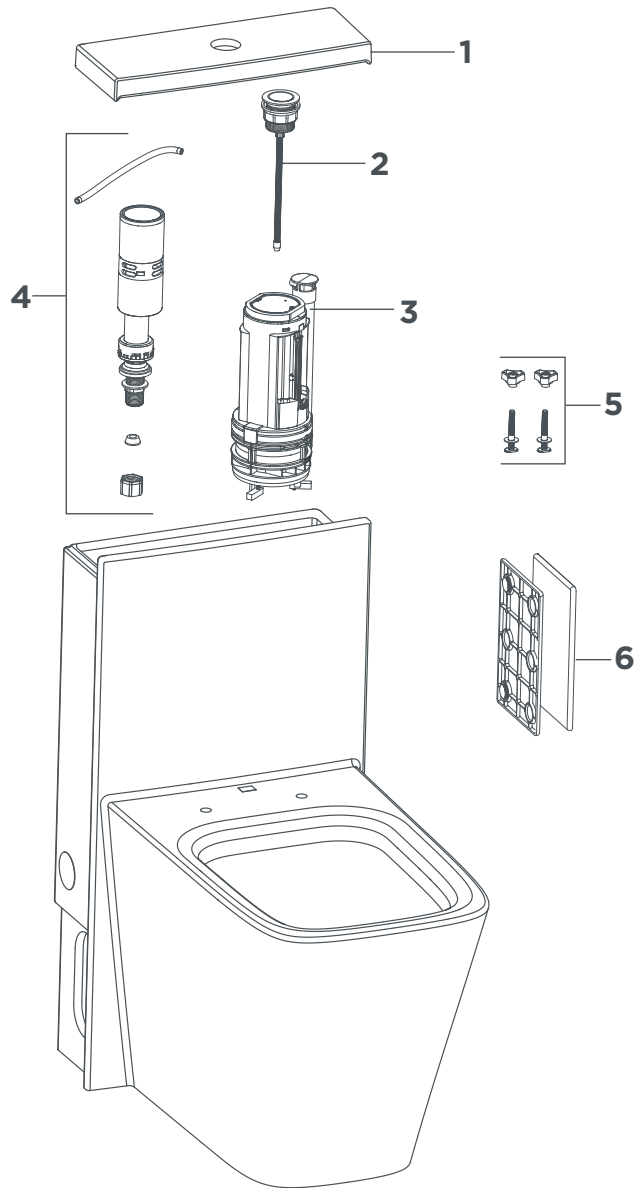




# DXV MODULUS™ ONE-PIECE TOILET D22020A100.415

## TOILET TANK TRIM REPAIR PARTS



ITEM	PART NUMBER	DESCRIPTION
1	735217-400.415	One-Piece Tank Lid
2	7381903-200.0020A	Push Button
3	7381904-400.0070A	Flush Valve
4	7381848-401.0070A	Inlet Valve
5	7381437-200.0200A	Mounting Kit
6	7381884-200.4150A	Bolt Cap Cover Kit