



AMERICAN STANDARD

FRESNO® BAR FAUCET



- Ceramic disc valve cartridge
- Lead Free - faucet contains $\leq 0.25\%$ total lead content by weighted volume
- 5-1/4" swivel spout
- Spout swivels at 150°
- Single function pull-down hose
- Two check valves
- Cover plate must be ordered separately
- Maximum flow rate: 1.8 gpm (6.8 L/min)

OPTIONAL COMPONENT

10" Cover Plate

M964990-XXXOA

CODES AND STANDARDS

Meets or Exceeds ASME A112.18.1/
CSA B125.1/NSF 61/Section 9

Certified Compliant with 0.25% Weighted
Average Lead Content Regulations

*CAL*Green

DESCRIPTION

Single Control Bar Faucet
with Pull-Down Spray

PRODUCT NUMBER

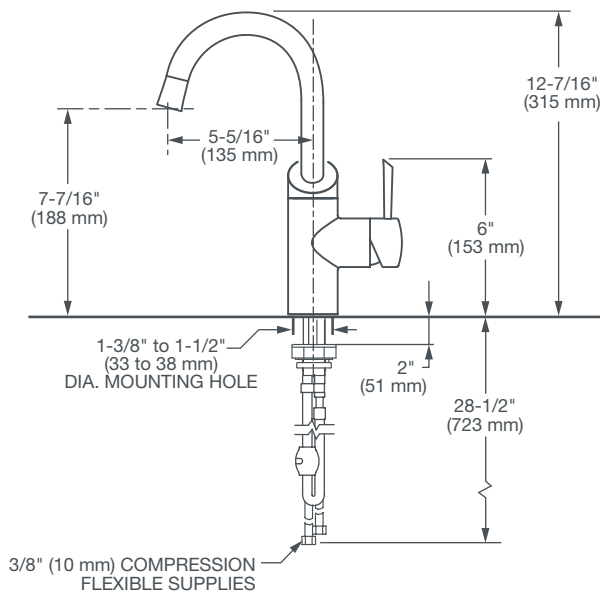
D35403410.XXX

AVAILABLE FINISHES

Polished Chrome
Ultra Steel

FINISH CODE

100
355



IMPORTANT: These measurements are subject to change or cancellation.
No responsibility is assumed for use of superseded or voided pages.



Meets the Americans with Disabilities Act
Guidelines and ANSI A117.1 Requirements
for the physically challenged.