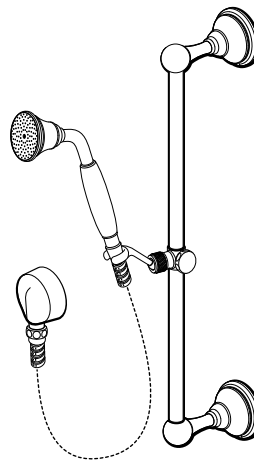


# INSTALLATION INSTRUCTIONS

## Randall™ Personal Hand Shower with Adjustable Wall Mounted Bar

### Model D35102.780

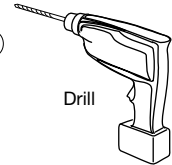
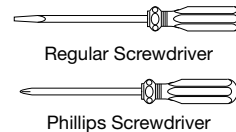
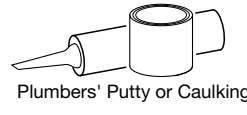
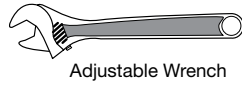
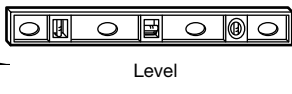
Thank you for selecting DXV by American Standard. To ensure that your installation proceeds smoothly, please read these instructions carefully before you begin.



AMERICAN STANDARD

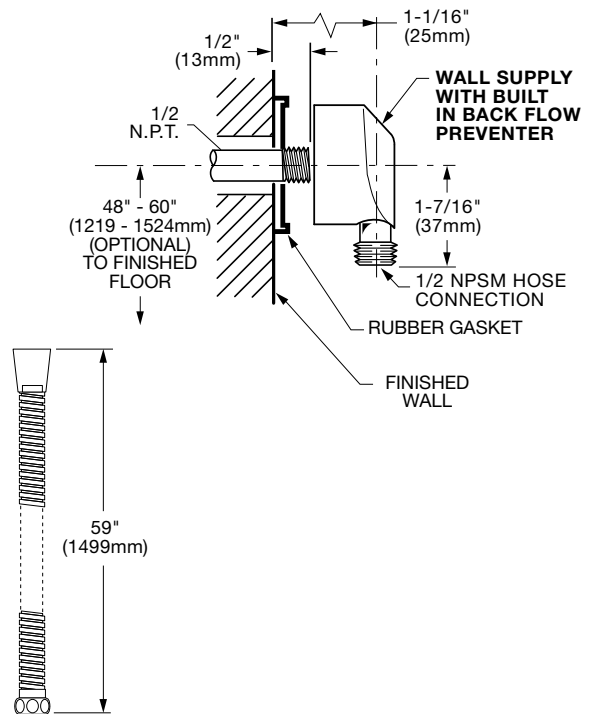
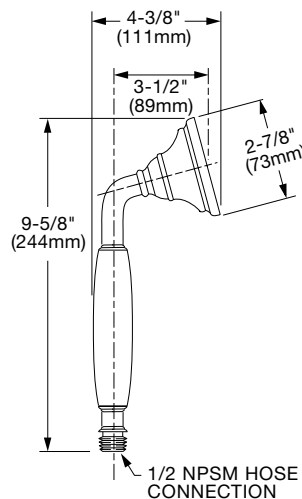
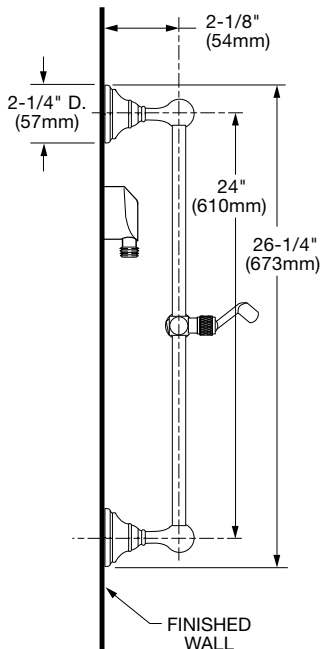
### RECOMMENDED TOOLS AND MATERIALS

Most of the procedures require the use of common tools and materials, which are available from hardware and plumbing, supply stores. It is essential that the tools and materials be on hand before work is begun.



### ROUGHING-IN DIMENSIONS:

- For reference



SAVE FOR FUTURE USE

#### In the United States:

DXV by American Standard  
One Centennial Avenue  
Piscataway, New Jersey 08855  
Attention: Director of Customer Care

For residents of the United States, warranty information may also be obtained by calling the following toll free number: (800) 227-2734  
[www.DXV.com](http://www.DXV.com)

#### In Canada:

DXV by American Standard  
5900 Avebury Road  
Mississauga, Ontario  
L5R 3M3  
Canada

Toll Free: 1-800-387-0369  
Local: 905-306-1093  
Fax: 1-800-395-1498  
[www.DXV.ca](http://www.DXV.ca)

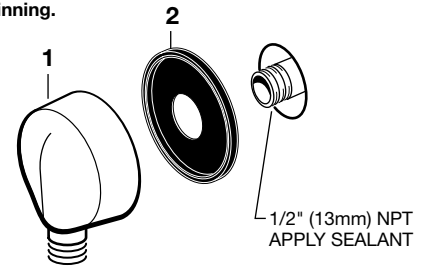
#### In Mexico:

DXV by American Standard  
Via Morelos 330  
Col. Santa Clara Coatlita  
Ecatepec, Estado de México 55540

Toll Free: 01-800-8391200  
[www.DXV.mx](http://www.DXV.mx)

**1 INSTALL WALL SUPPLY** **CAUTION** Turn off hot and cold water supplies before beginning.

- Supply to WALL SUPPLY (1) is 1/2" (13mm) NPT. See rough-in above for detailed information.
- Install RUBBER SEAL (2) onto WALL SUPPLY (1).
- Apply sealant or teflon tape to threads of 1/2" (13mm) NPT supply nipple. Thread WALL SUPPLY (1) onto supply nipple making a water tight seal. WALL SUPPLY (1) with RUBBER SEAL (2) should be tight against finished wall.

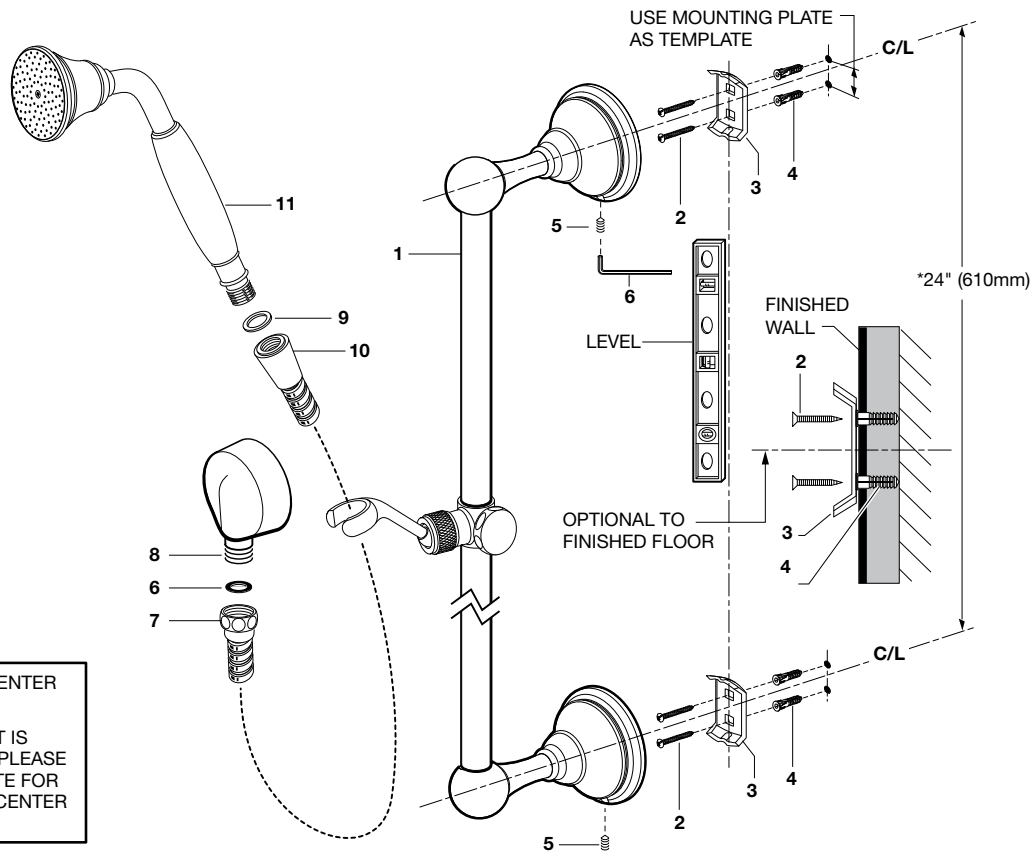


**2 INSTALL WALL BRACKET**

- The wall mounted accessories (1) works best if secured to a wall stud or cross brace within the wall, using the SCREWS (2) supplied.
- If the WALL MOUNTED ACCESSORIES (1) are to be installed on a tile or plaster wall the ANCHORS (4) and SCREWS (2) should be used.
- Determine desired height and location (optional) and mark a center line. Using the MOUNTING PLATE (3) as a template mark the two spots for the ANCHORS (4). If MOUNTING PLATE (3) is secured to a stud or cross brace drill small pilot holes for SCREWS (2). Use a level to make the center line between the two MOUNTING PLATES (3) vertical.
- **For installations on drywall or tiled walls:** Use ANCHORS (4) and SCREWS (2) for securing MOUNTING PLATE (3) to finished wall. Drill two 1/4" dia. holes a minimum of 1-3/4" (44mm) deep. Insert the two ANCHORS (4) flush with face of the finished wall.
- Secure MOUNTING PLATE (3) to wall with SCREWS (2).

**3 INSTALL ACCESSORY**

- Install WALL MOUNTED ACCESSORY (1) onto installed MOUNTING PLATES (3). Push WALL MOUNTED ACCESSORY (1) flush against finished wall and tighten SET SCREWS (5) with HEX WRENCH (6) supplied with accessory.



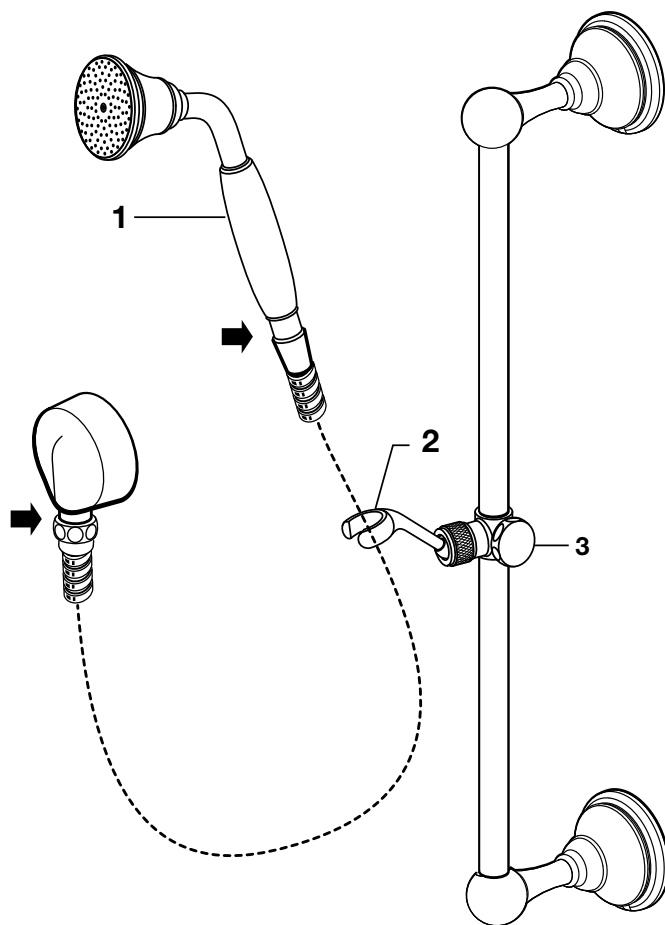
\*FROM CENTER TO CENTER OF WALL BRACKETS  
 \*NOTE: MEASUREMENT IS APPROXIMATE ONLY, PLEASE USE BAR AS TEMPLATE FOR ACTUAL CENTER TO CENTER MEASUREMENTS.

**4 INSTALL HOSE AND HAND SHOWER**

- Install SEAL (6) into COUPLING NUT (7). Connect COUPLING NUT (7) to WALL SUPPLY NIPPLE (8) and tighten.
- INSTALL second SEAL (9) into SPRAY HOSE END (10) and connect HAND SHOWER (11) to SPRAY HOSE END (11). Hand tighten.

## 5 TEST INSTALLED HAND SHOWER

- Lift HAND SHOWER (1) from HOLDER (2) and direct spray into tub. Turn hand shower valve on to check HAND SHOWER (1) for proper operation and hose connections for leaks. ➡
- Use KNOB (3) on HOLDER (2) to adjust HAND SHOWER (1) height on slide bar.





AMERICAN STANDARD

# Randall™ Personal Hand Shower with Adjustable Wall Mounted Bar

MODEL NUMBER

**D35102.780**

