

# INSTALLATION INSTRUCTIONS



AMERICAN STANDARD

## Byrdcliffe™ Bath

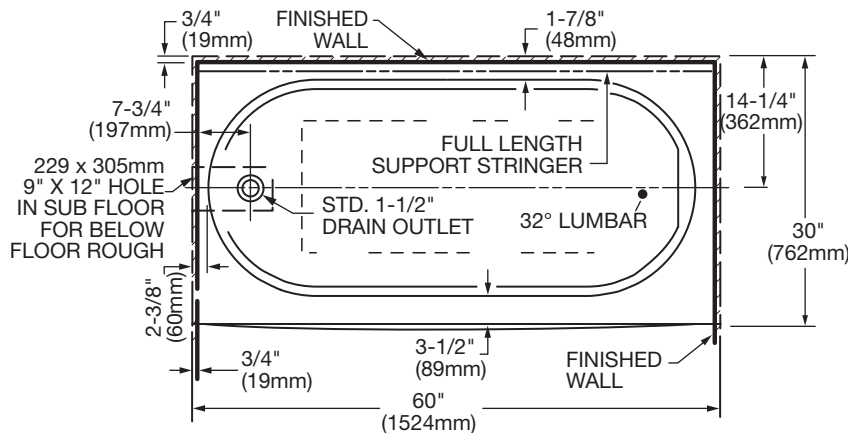
Models D02390.202, D02391.202

Thank you for selecting DXV by American Standard. To ensure this product is installed properly, please read these instructions carefully before you begin. (Certain installations may require professional help.) Also be sure your installation conforms to local codes.

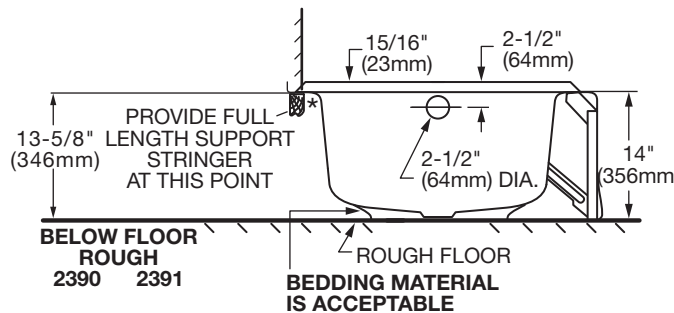
**▲ CAUTION: PRODUCT IS FRAGILE. TO AVOID BREAKAGE AND POSSIBLE INJURY HANDLE WITH CARE!**  
 NOTE: Pictures may not exactly define contour of china and components.

### ROUGHING-IN DIMENSIONS:

- For reference



**LEFT HAND TUB ILLUSTRATED  
 RIGHT HAND TUB IS REVERSED**



**\* PLUMBER NOTE:** PROVIDE FULL LENGTH SUPPORT STRINGER AT THIS POINT

#### In the United States:

DXV by American Standard  
 One Centennial Avenue  
 Piscataway, New Jersey 08855  
 Attention: Director of Customer Care

For residents of the United States, warranty information may also be obtained by calling the following toll free number: (800) 227-2734  
[www.DXV.com](http://www.DXV.com)

#### In Canada:

DXV by American Standard  
 5900 Avebury Road  
 Mississauga, Ontario  
 L5R 3M3  
 Canada

Toll Free: 1-800-387-0369  
 Local: 905-306-1093  
 Fax: 1-800-395-1498  
[www.DXV.ca](http://www.DXV.ca)

#### In Mexico:

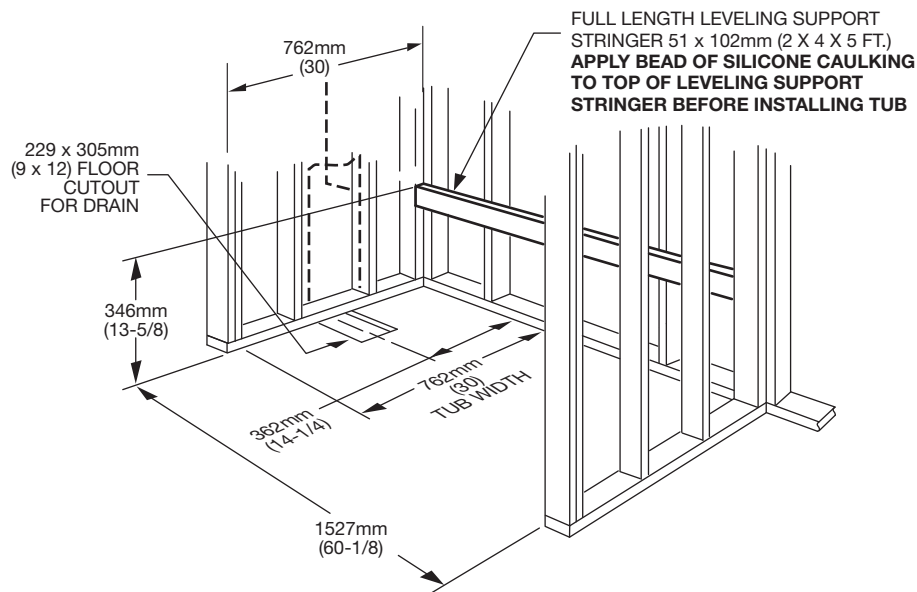
DXV by American Standard  
 Via Morelos 330  
 Col. Santa Clara Coatitla  
 Ecatepec, Estado de México 55540

Toll Free: 01-800-8391200  
[www.DXV.mx](http://www.DXV.mx)

S A V E F O R F U T U R E U S E

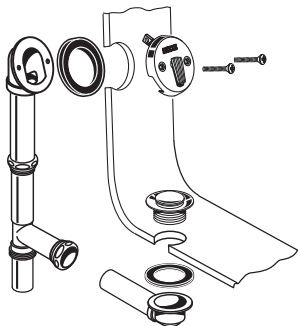
# 1 FRAMING INSTRUCTIONS

Note recess is 1527 x 762mm (60-1/8 x 30). Cut a 229 x 305mm (9 x 12) hole in sub floor for drain, centered 362mm (14-1/4) as shown for below floor rough. Locate studs as required, then ensure rough opening dimensions are proper and supports are plumb and square.



# 2 DRAIN

Install the overflow and drain assembly onto the tub per manufacturer's instructions.

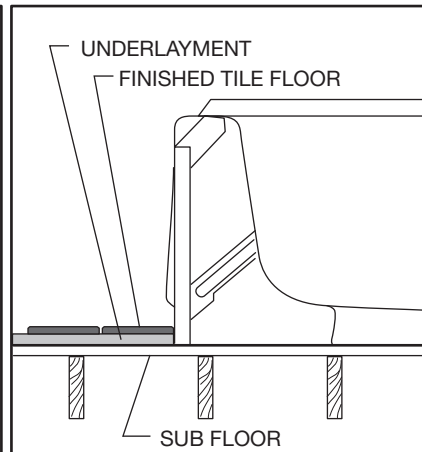
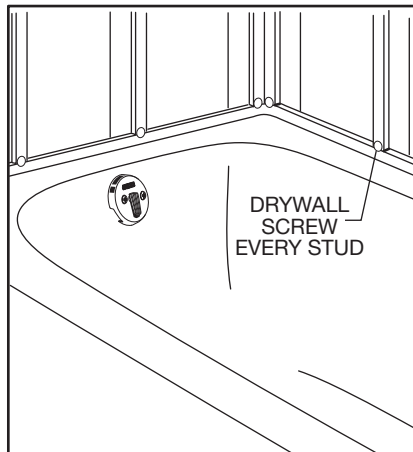


# 3 INSTALLATION - BEDDING MATERIAL (MORTAR, SANDMIX, ETC.) IS ACCEPTABLE SUB FLOOR MUST BE STRUCTURALLY SOUND & FREE OF MOVEMENT / FLEXING

The tub is provided with an integral base for easier installation. Position the bath on the floor and slide into place until the tub is resting on the rear stringer. The base does not need to contact the floor for proper installation. Check level, front to back and side to side. Also check drain clearance hole in sub floor. To secure the tub to wood studs, use sheet rock screws with washers immediately above the flange of the tub. To secure the tub to steel studs, use drywall screws and flat washers. (See Step 4)

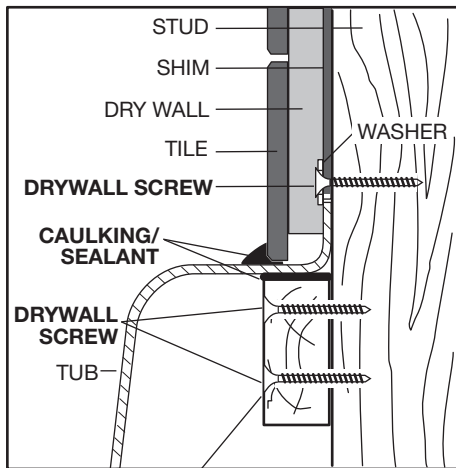
**Caution: Take Extra Care When Driving Screws To Avoid Damaging The Tub.**

The tile or similar finished floor will be butted against the bottom of the tub apron also holding the tub in place.

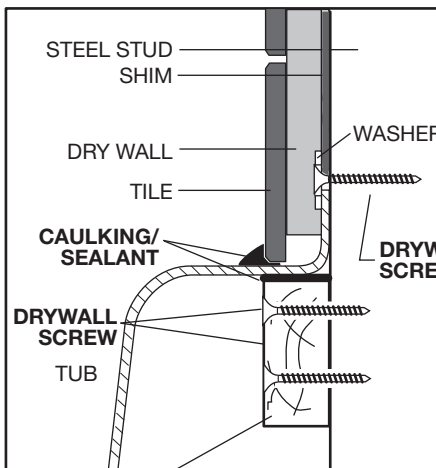


4 Below is shown typical cross sections of the tub rim showing typical wall constructions.

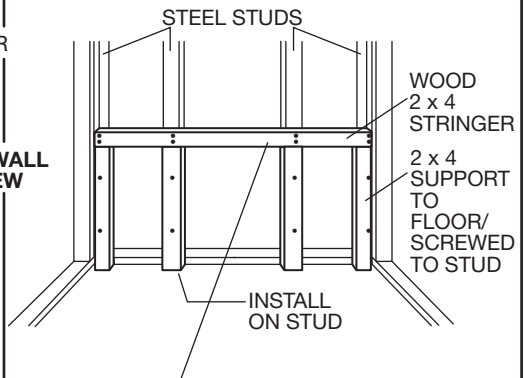
## WOOD STUDS



## STEEL STUDS



FOR STEEL STUDS SUPPORT THE WOOD 2 X 4 STRINGER TO THE FLOOR IN 3 PLACES



51 x 102mm (2 x 4) WOOD STRINGER FULL LENGTH