

INSTALLATION INSTRUCTIONS



Equility™ (Formerly LYNDON®) Wall-Hung Lavatory Vanity Kit

- Models: D20075001 — 22" Single-Hole Lavatory**
D214150022 — 22" Wall-Hung Vanity
D20076001 — 33" Single-Hole Lavatory
D214150033 — 33" Wall-Hung Vanity

Thank you for selecting DXV. To ensure this product is installed properly, please read these instructions carefully before you begin. (Certain installations may require professional help.) Also be sure your installation conforms to local codes.

To maintain the beauty of the finish, avoid placing the furniture in direct sunlight, as sunlight causes fading. Also avoid extreme changes in temperature by arranging furniture away from radiators, heat and air vents, and air conditioning units. Avoid placing furniture directly under windows.

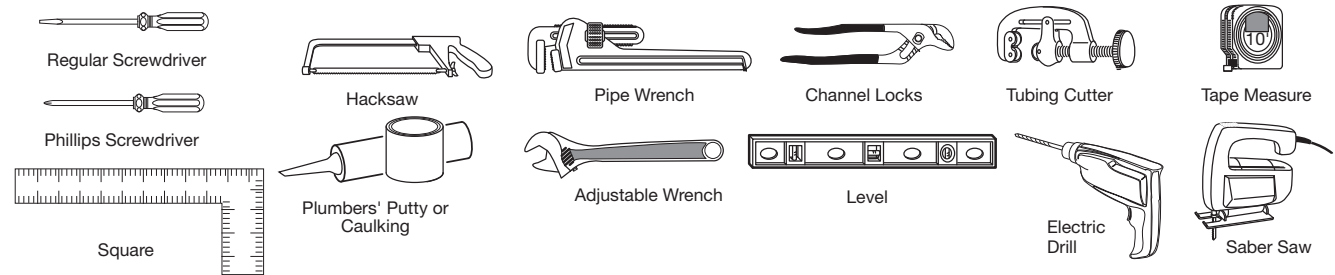
⚠ CAUTION: PRODUCT IS FRAGILE. TO AVOID BREAKAGE AND POSSIBLE INJURY HANDLE WITH CARE!

NOTE: Pictures may not exactly define contour of china and components.

Visit www.DXV.com for French and Spanish Installatio Instructions.

RECOMMENDED TOOLS AND MATERIALS

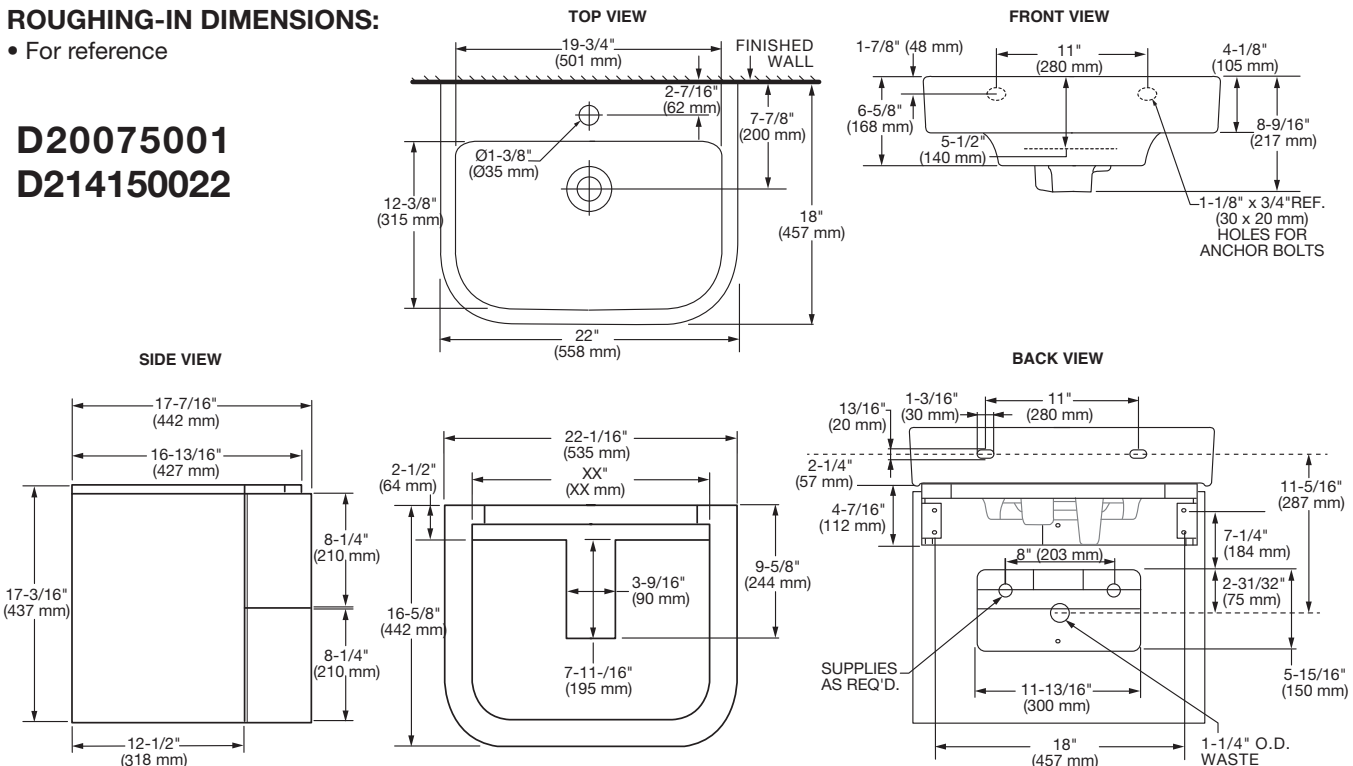
Most of the procedures require the use of common tools and materials, which are available from hardware and plumbing supply stores. It is essential that the tools and materials be on hand before work is begun.



ROUGHING-IN DIMENSIONS:

• For reference

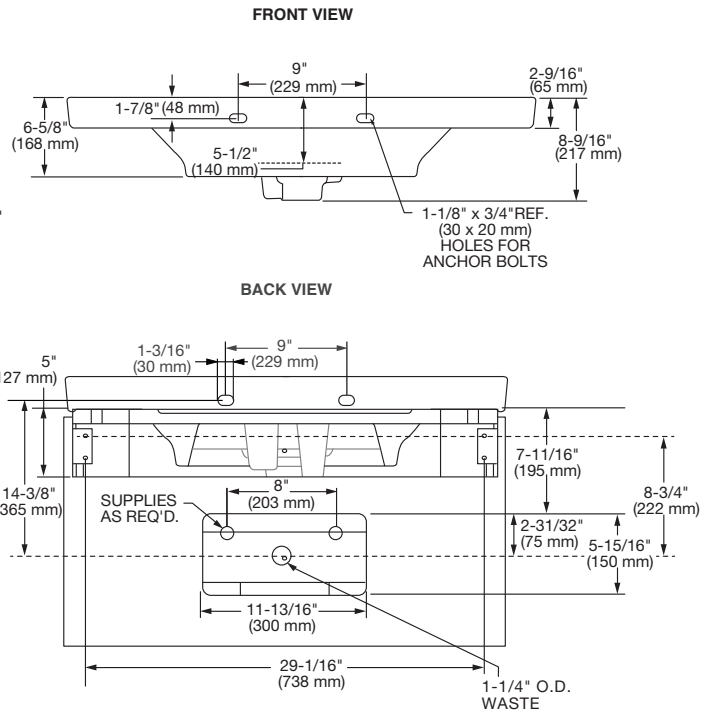
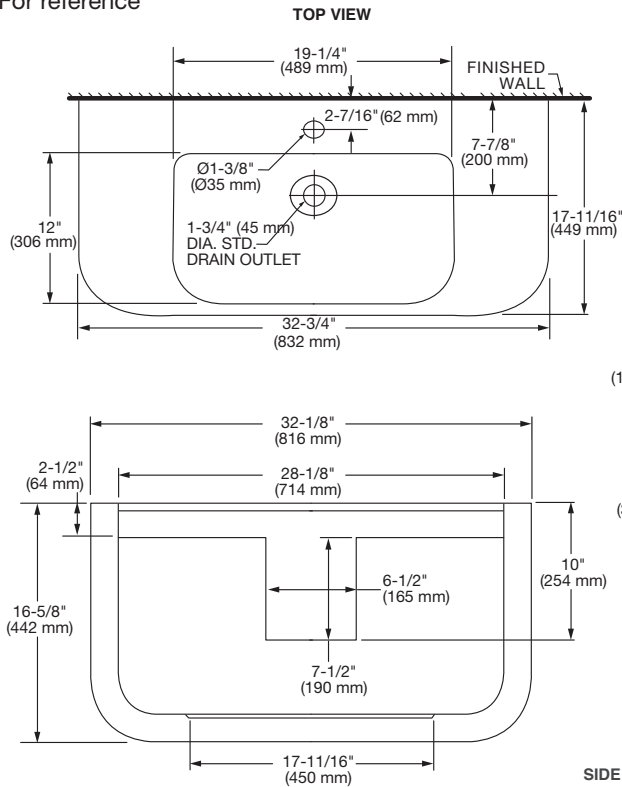
D20075001
D214150022



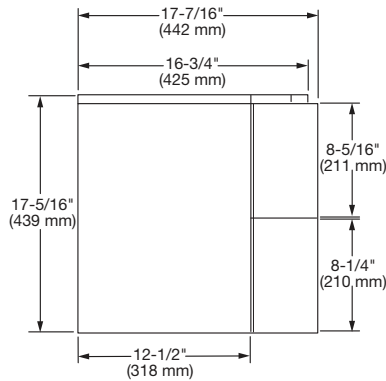
SAVE FOR FUTURE USE

ROUGHING-IN DIMENSIONS:

- For reference



D20076001
D214150033



1 INSTALLATION PROCEDURES

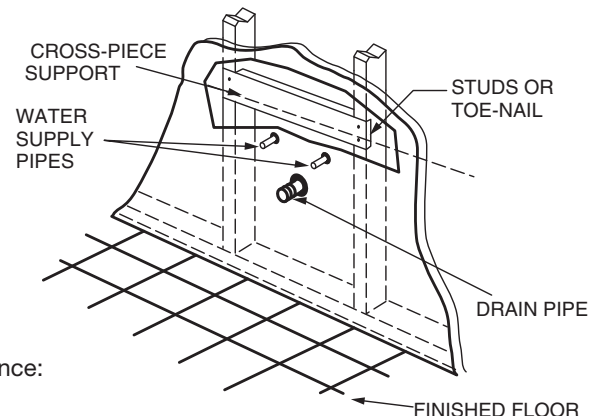
Typical installation includes wall preparation, installation of faucet and pop-up drain, supplies to house water system.

Lavatory Mounting Provisions - Whether the lavatory is used for replacement or new installation, the wall area behind the lavatory basin mounting holes must be reinforced to provide secure mounting for the new unit.

Preparing Wall for Lavatory Mounting

Optional: For non-masonry installation, crosspieces must be installed to reinforce the lavatory mounting surface to provide adequate support, install as described below.

1. Remove wallboard/covering from designated area.
2. Toenail 2" x 8" (51 x 203 mm) cross piece between studs.
Centerline of reinforcement should be above drain by the following distance:
22" Lyndon Vanity — 8-3/8" (212 mm)
33" Lyndon Vanity — 13-9/16" (345 mm)
3. Replace wallboard/finished wall media.



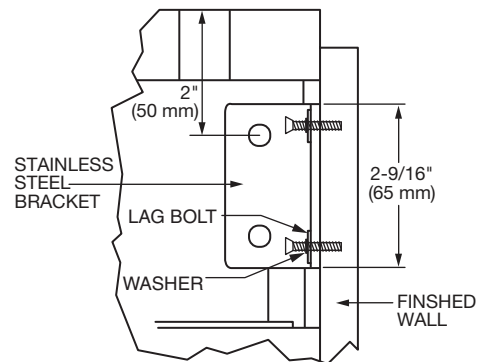
2 INSTALLATION PROCEDURES

INSTALLING BASIN

- STEP 1.** Next, carefully position the lavatory in the desired location for the basin. Ensure you have provided proper clearance under the countertop for the faucet, supply lines, drain assembly and the structural parts of the cabinet. Mark desired drain and faucet location on countertop with pencil. Please refer to faucet installation instructions to verify desired faucet rough-in areas.
- STEP 2.** Drill a 4" (102 mm) hole at drain location. Rough-in supply lines per dimensions on page 2.
- STEP 3.** Position lavatory in place, centering it above the drain hole.

3 INSTALLING VANITY

- Remove vanity drawers
- Align vanity cabinet under lavatory, ensuring that vanity sits snugly against chinaware. Also ensure that drain and supply lines easily pass through opening on rear panel of vanity cabinet.
- When vanity is in desired position, mark mounting holes using mounting brackets as a template.
- Drill appropriate size holes as needed based on wall type .
SEE ILLUSTRATION
- Drive lag bolts through mounting bracket. SEE ILLUSTRATION

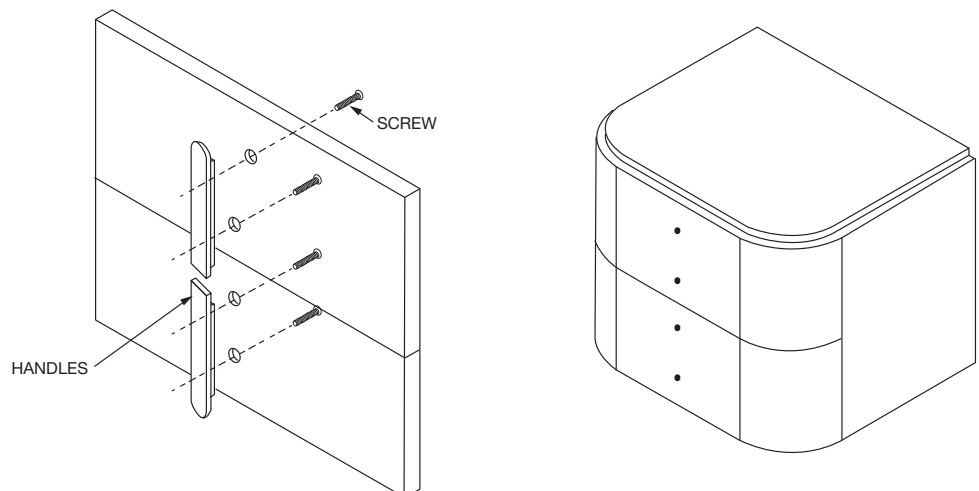


4 PLUMBING CONNECTIONS

- STEP 1.** Pre-assemble P-trap drain connections in accordance with manufacturer's instructions. Check that pop-up drain opens and closes properly when drain control is operated.
- STEP 2.** Connect supply lines to shutoff valves and securely tighten nuts.
- STEP 3.** Install faucet and drain in accordance with manufacturer's instructions. Hand tighten drain and add one quarter turn to allow the sink to expand and contract with changing water and room temperatures. If drain leaks, add another quarter turn. Repeat this process until leak stops. Do not over tighten to prevent stress cracks. Turn on water supply valves and water-test installation.

5 HANDLE INSTALLATION

- Attach handles. as shown in Figure 1.
- Re-install drawers onto vanity cabinet.



LIMITED WARRANTY

If inspection of this DXV plumbing product, within one year after its initial purchase, confirms that it is defective in materials or workmanship, DXV will repair or, at its option, exchange the product for a similar model. Variations in actual wood color and finishes which may result from natural characteristics of the wood, such as grain patterns, mineral streaks and the like, are not defects and are not covered by this warranty.

This warranty applies only to the original purchaser and installation of these products. In the event of a claim, proof of purchase will be required; save your receipt.

This limited warranty does not apply to local building code compliance. Since local building codes vary considerably, the purchaser of this product should check with a local building or plumbing contractor to insure local code compliance before installation.

This warranty is void if the product has been moved from its initial place of installation; if it has been subjected to faulty maintenance, abuse, misuse, accident or other damages; if it was not installed in accordance with DXV by American Standard's instructions; or if it has been modified in a manner inconsistent with the product as shipped by DXV by American Standard.

DXV's option to repair or exchange the product under this warranty does not cover any labor or other costs of removal or installation, nor shall DXV be responsible for any other incidental or consequential damages attributable to a product defect or to the repair or exchange of a defective product, all of which are expressly excluded from this warranty. This limited warranty does not cover any liability for consequential or incidental damages, all of which are hereby expressly disclaimed, or the extension beyond the duration of this limited warranty of any implied limited warranties, including those of merchantability or fitness for an intended purpose. (Some states or provinces do not allow the exclusion or limitation of implied warranties, so this exclusion may not apply to you).

This warranty gives you specific legal rights. You may have other statutory rights that vary from state to state or province to province, in which case this warranty does not affect such statutory rights.

CARE AND USE

DXV's furniture is built with tradition in mind. Variations in actual wood color and finishes which may result from natural characteristics of wood, such as grain patterns, mineral streaks and the like, are not considered defects. As wood continues to age you may notice these slight differences in color. Sound knots and slight surface cracks are true personality characteristics of a quality piece of wood furniture. In order to maintain the finish you should clean with a soft, slightly damp cloth and then buff with a dry cloth. Wood furniture should never be dragged across the floor. The added stress from dragging the unit may cause the dragged edge to splinter or joints to loosen. Following these practices will help maintain the beauty and lustre of your furniture.

In order to maintain the finish you should clean with a soft, slightly damp cloth and then buff with a dry cloth. Wood furniture should never be dragged across the floor. The added stress from dragging the unit may cause the dragged edge to splinter or joints to loosen. Following these practices will help maintain the beauty and lustre of your furniture.

Regular Exterior Cleaning requires only wiping with a damp cloth and drying with a soft, clean cloth.

Remove Oil, Grease or General Soil using a clean cloth dampened with a solution of mild soap, such as Murphy's Oil® Soap and water. Dry thoroughly.

Never use soap pads, steel wool, self polishing waxes or cleaners that contain bleach, ammonia or abrasives.

Preserve Your Finish by Removing Excess Water

Lestoil® is a registered trademark of The Clorox Company.

Lysol® is a registered trademark of Reckitt Benckiser LLC.

Dow® is a registered trademark of The Dow Chemical Company.

Formula 409® is a registered trademark of The Clorox Company.

Tilex® is a registered trademark of The Clorox Company.

Nair® is a registered trademark of Church & Dwight Co., Inc.

In the United States:

DXV
One Centennial Avenue
Piscataway, New Jersey 08855
Attention: Director of Customer Care

For residents of the United States, warranty information may also be obtained by calling the following toll free number: (800) 227-2734
www.DXV.com

In Canada:

DXV
5900 Avebury Road
Mississauga, Ontario
L5R 3M3
Canada

Toll Free: 1-800-387-0369
Local: 905-306-1093
Fax: 1-800-395-1498
www.DXV.ca

In Mexico:

DXV
Via Morelos 330
Col. Santa Clara Coatitla
Ecatepec, Estado de México 55540

Toll Free: 01-800-8391200
www.DXV.mx