

INSTALLATION INSTRUCTIONS



Lowell™ Console Lavatory Kit






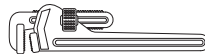

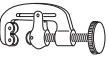
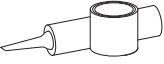
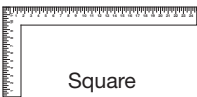

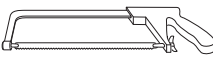

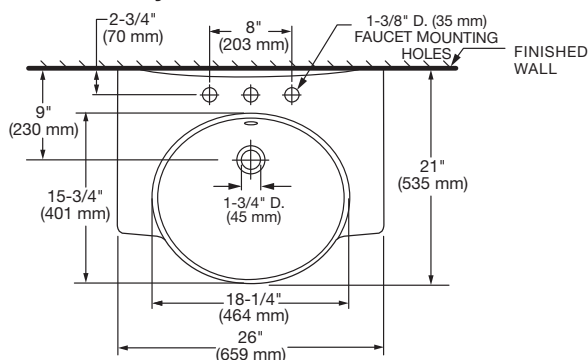
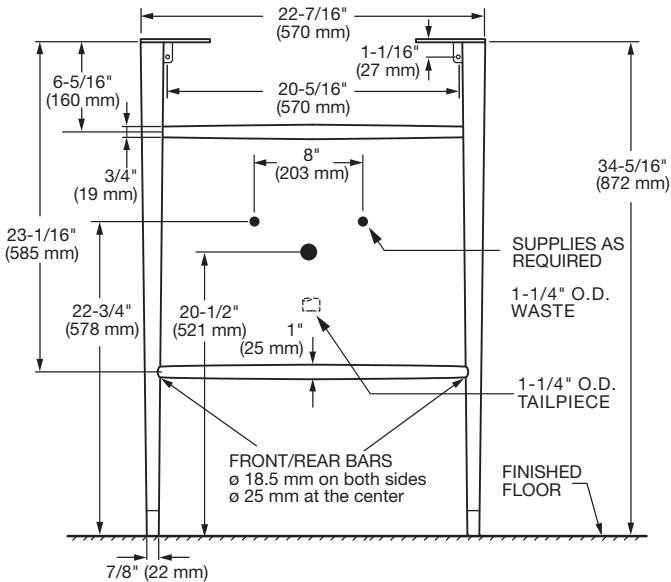
- Models: D20070001 — Single-Hole Lavatory**
D20070008 — Three-Hole Lavatory
D21420026 — 26" Console
D28005000 — Towel Bar (optional component)

Thank you for selecting DXV. To ensure this product is installed properly, please read these instructions carefully before you begin. (Certain installations may require professional help.) Also be sure your installation conforms to local codes.

⚠ CAUTION: PRODUCT IS FRAGILE. TO AVOID BREAKAGE AND POSSIBLE INJURY, HANDLE WITH CARE!

NOTE: Pictures may not exactly define contour of china and components.

Visit www.DXV.com for French and Spanish Installation Instructions.

<p>RECOMMENDED TOOLS AND MATERIALS</p> <p>Most of the procedures require the use of common tools and materials, which are available from hardware and plumbing supply stores. It is essential that the tools and materials be on hand before work is begun.</p>  Electric Drill  Channel Locks  Adjustable Wrench  Tape Measure  Phillips Screwdriver  Pipe Wrench  Regular Screwdriver  Tubing Cutter  Sealant  Square  Saber Saw  Hacksaw  Level	<p>ROUGHING-IN DIMENSIONS:</p> <ul style="list-style-type: none"> • For reference <p><i>Lowell Lavatory can be installed without console</i></p>  
<p>REPLACEMENT USE</p> <p>When replacing an original unit, be certain to shut-off water supplies before removing the unit or disconnecting water supply lines and drain fittings. Original supply lines and shut-off valves should be replaced and used with fittings and adapters to match the hookups on the replacement unit.</p> <p>⚠ USE TEFLON SEALANT TAPE ON PIPE THREADS FOR WATERTIGHT CONNECTIONS!</p>	<p style="writing-mode: vertical-rl; transform: rotate(180deg);">SAVE FOR FUTURE USE</p>

1 INSTALLATION PROCEDURES

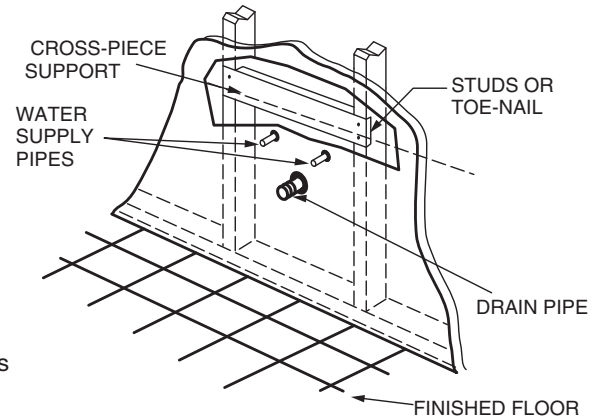
Typical installation includes wall preparation lavatory mounting, installation of faucet and pop-up drain, supplies to house water system.

Lavatory Mounting Provisions - Whether the lavatory is used for replacement or new installation, the wall area behind the lavatory basin mounting holes must be reinforced to provide secure mounting for the new unit.

Preparing Wall for Lavatory Mounting

Optional: For non-masonry installation, crosspieces must be installed to reinforce the lavatory mounting surface to provide adequate support, install as described below.

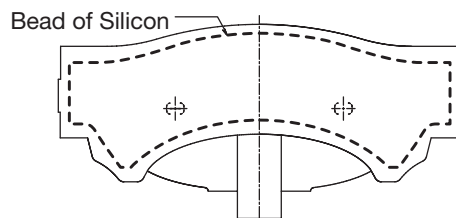
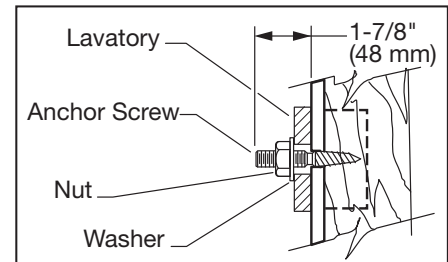
1. Remove wallboard/covering from designated area.
2. Toenail 2" x 6" (51 x 152 mm) cross piece between studs (or notch studs to accept a 1" x 6" (25 x 152 mm) crosspiece, and attach securely). C/L of reinforcement should be 34" (863 mm) up from finished floor.
3. Replace wallboard/finished wall media.



2 INSTALLING LAVATORY

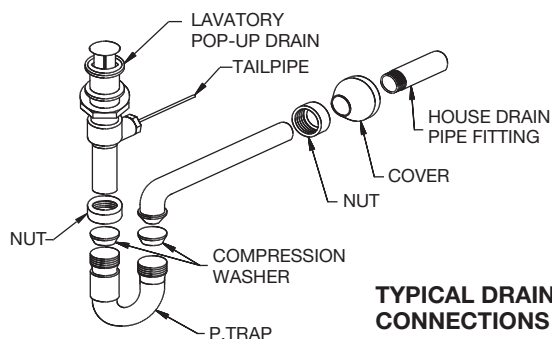
CAUTION: Lavatories are extremely heavy. For personal safety, always use an extra person for installation.

1. Using level, draw a vertical line starting at the waste water return hole. Draw a horizontal line at the required dimension from floor. Check the dimension placing the lavatory and console into position. Mark and drill holes through the mounting holes along the horizontal line. Install lavatory anchor screws leaving 1-7/8" threaded end exposed as illustrated.
2. Apply a bead of silicon to the back of the lavatory. See Diagram.

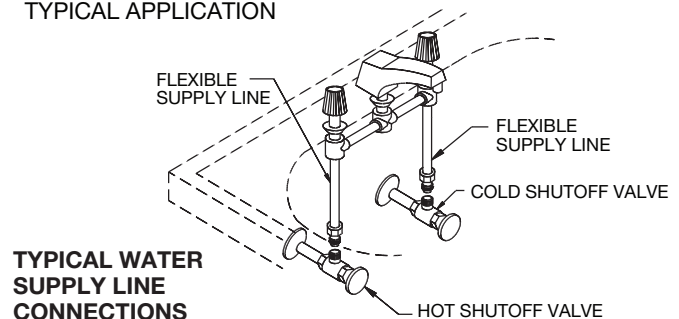


Geometry shown is for illustration only and may not match product geometry.

3. Pre-assemble P-trap drain connections in accordance with manufacturer's instructions. Check that pop-up drain opens and closes properly when drain control is operated. Connect supply lines to shutoff valves and loosely install drain connections.



SPREAD LAVATORY SET TYPICAL APPLICATION



3 INSTALLING LAVATORY TO CONSOLE

- Loosely attach the lavatory to the wall at the anchor locations and level lavatory slab to console. **Fig. 1.**
- Insert rubber well nuts into mounting hole on front underside of lavatory . **Fig. 2.**
- Insert the console under the lavatory. Ensure that the lavatory sits evenly against console and mounting bracket on front console legs align with mounting holes on lavatory. **Fig. 1.**
- Level lavatory side to side and front to rear.
- Securely attach console to lavy by inserting screws and washers through bracket on front legs into well nuts on front underside of lavatory. **Fig. 2.**

NOTE: Lavatory weight should be held by wall , NOT console.

- Securely tighten lavatory mounting nuts.

DO NOT OVER-TIGHTEN MOUNTING HARDWARE OR LAVATORY MAY BE DAMAGED!

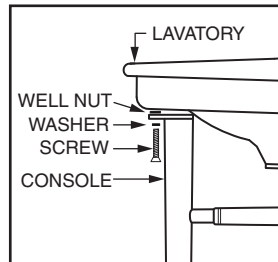


FIGURE 2

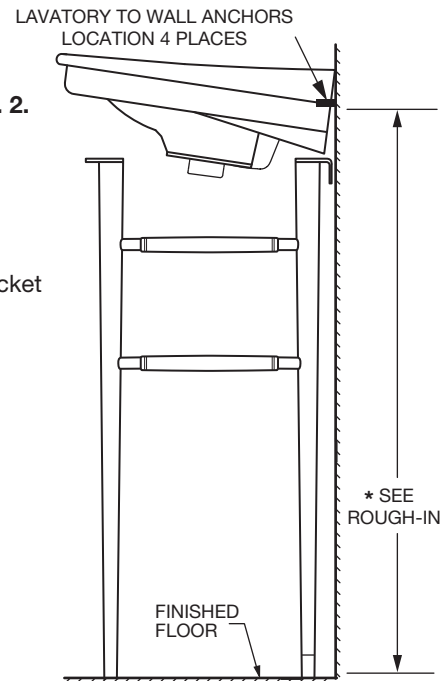
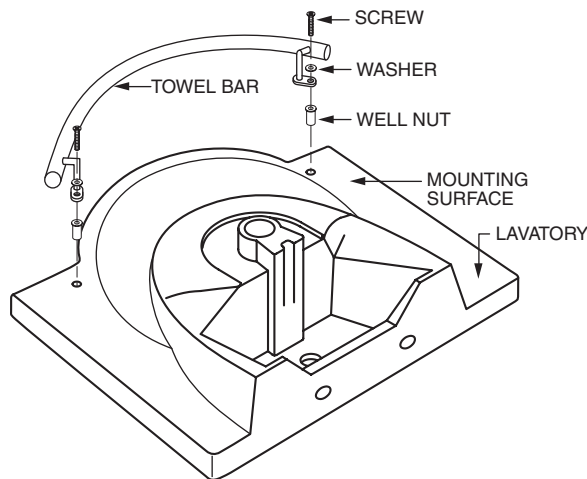


FIGURE 1

4 INSTALLATION OF TOWEL BAR (OPTIONAL)

- Using same lavatory mounting holes with well nuts in the step above, align towel bar mounting holes below console bracket mounting holes.
- Insert and tighten screws until towel bar is secure (do not overtighten).



In the United States:

DXV
One Centennial Avenue
Piscataway, New Jersey 08855
Attention: Director of Customer Care

For residents of the United States, warranty information may also be obtained by calling the following toll free number: (800) 227-2734
www.DXV.com

In Canada:

DXV
5900 Avebury Road
Mississauga, Ontario
L5R 3M3
Canada

Toll Free: 1-800-387-0369
Local: 905-306-1093
Fax: 1-800-395-1498

In Mexico:

DXV
Via Morelos 330
Col. Santa Clara Coatitla
Ecatepec, Estado de México 55540

Toll Free: 01-800-8391200
www.DXV.mx