

INSTALLATION INSTRUCTIONS



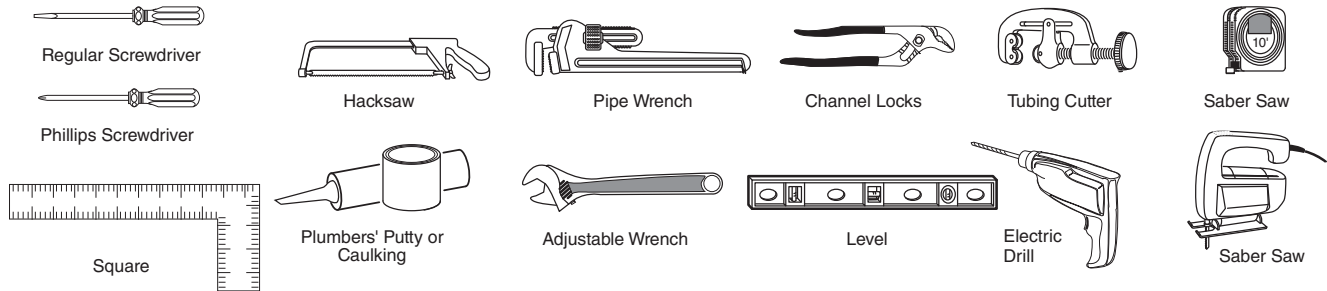
St. George[®] Lavatory Model D20150008

Thank you for selecting DXV. To ensure this product is installed properly, please read these instructions carefully before you begin. (Certain installations may require professional help.) Also be sure your installation conforms to local codes.

⚠ CAUTION: PRODUCT IS FRAGILE. TO AVOID BREAKAGE AND POSSIBLE INJURY HANDLE WITH CARE!
NOTE: Pictures may not exactly define contour of china and components.

RECOMMENDED TOOLS AND MATERIALS

Most of the procedures require the use of common tools and materials, which are available from hardware and plumbing supply stores. It is essential that the tools and materials be on hand before work is begun.



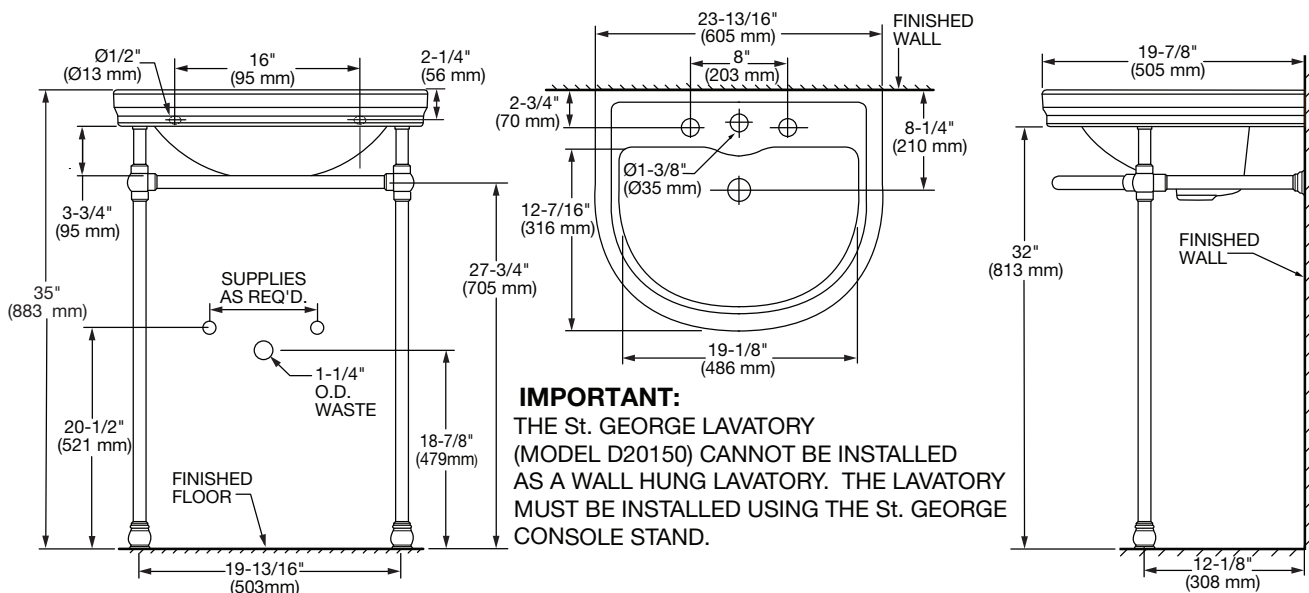
REPLACEMENT USE

When replacing an original unit, be certain to shut-off water supplies before removing the unit or disconnecting water supply lines and drain fittings. Original supply lines and shut-off valves should be replaced and used with fittings and adapters to match the hookups on the replacement unit.

⚠ USE TEFLON SEALANT TAPE ON PIPE THREADS FOR WATERTIGHT CONNECTIONS!

ROUGHING-IN DIMENSIONS:

• For reference only. Actual dimensions may vary.



SAVE FOR FUTURE USE

Installation	Combo	Lav #	Ped #	Mounting Kit #
8" Center Spread Lavatory - CWH	—	D20150	—	7301531-100

1 WALL PREPARATION

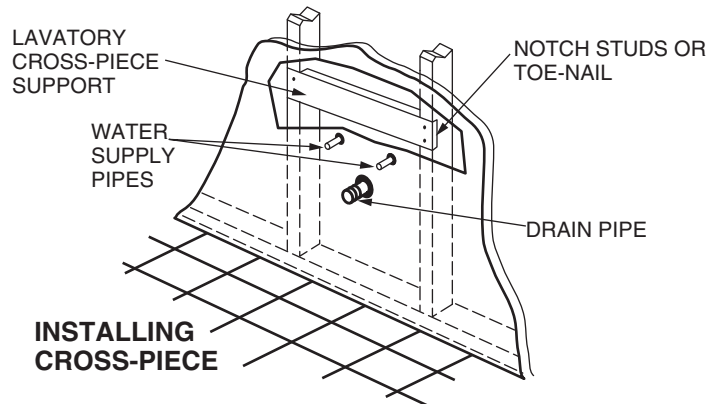
Typical installation includes wall preparation, installation of faucet and pop-up drain, supplies to house water system.

Lavatory Mounting Provisions - Whether the lavatory is used for replacement or new installation, the wall area behind the lavatory basin mounting holes must be reinforced to provide secure mounting for the new unit.

Preparing Wall for Lavatory Mounting

Optional - For non-masonry installation, crosspieces must be installed to reinforce the lavatory mounting surface to provide adequate support, install as described below.

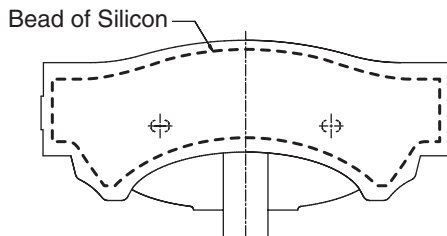
1. Remove wallboard/covering from designated area.
2. Toenail 2" x 6" (51 x 152 mm) cross piece between studs (or notch studs to accept a 1" x 6" (25 x 152 mm) crosspiece, and attach securely). Place the lavatory into desired position and check height of mounting holes for dimensional location of horizontal crosspiece.
3. Replace wallboard/finished wall media.



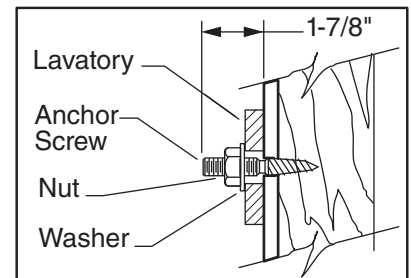
2 EXTRA STEP FOR LAVATORIES SUPPLIED WITH A STEEL HANGER

CAUTION: Lavatories are extremely heavy. For personal safety, always use extra person for installation.

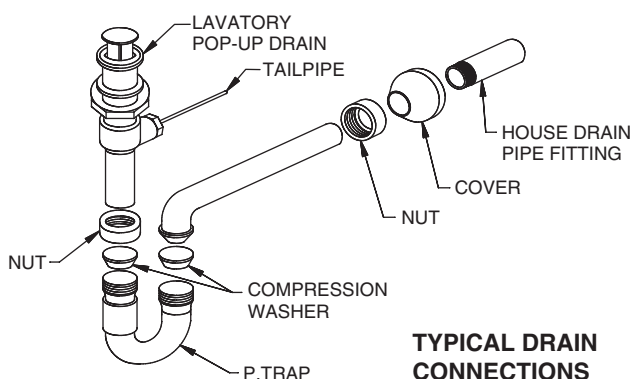
1. Using level, draw a vertical line starting at the waste water return hole. Draw a horizontal line at the required dimension from floor. Check the dimension placing the lavatory and legs into position. Mark and drill holes through the mounting holes along the horizontal line. Install lavatory anchor screws leaving 1-7/8" threaded end exposed as illustrated.
2. Apply a bead of silicon to the back of the lavatory. See Diagram.



Geometry shown is for illustration only and may not match product geometry.

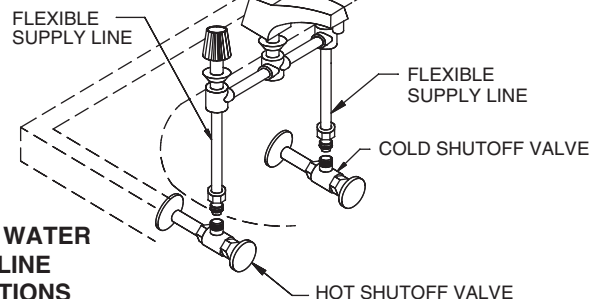


3. Pre-assemble P-trap drain connections in accordance with manufacturer's instructions. Check that pop-up drain opens and closes properly when drain control is operated. Connect supply lines to shutoff valves and loosely install drain connections.



TYPICAL DRAIN CONNECTIONS

SPREAD LAVATORY SET TYPICAL APPLICATION



TYPICAL WATER SUPPLY LINE CONNECTIONS

4. Loosely attach the lavatory to the wall at the anchor locations. Optionally, place the cushioned adhesive-backed or similar product on the top and bottom of the console legs to avoid ceramic damage, floor damage and clattering between console and lavatory, and to level lavatory slab to console legs.

NOTE: The lavatory must be installed using the St. George stand (D19000). Please read the console instructions before installation.

INSTALLATION PROCEDURES

Typical installation includes installation of faucet, connection of flexible water supply lines, attachment of basin to countertop, sizing and installation of drain to house water system.

NOTE: THIS LAVATORY CAN NOT BE INSTALLED AS A WALL HUNG LAVATORY. THE LAVATORY MUST BE INSTALLED USING THE ST. GEORGE CONSOLE STAND ONLY.

PART

7301531-100 — Mounting Kit

In the United States:

DXV
One Centennial Avenue
Piscataway, New Jersey 08855
Attention: Director of Customer Care

For residents of the United States, warranty information may also be obtained by calling the following toll free number: (800) 227-2734
www.DXV.com

In Canada:

DXV
5900 Avebury Road
Mississauga, Ontario
L5R 3M3
Canada

Toll Free: 1-800-387-0369
Local: 905-306-1093
Fax: 1-800-395-1498
www.DXV.ca

In Mexico:

DXV
Via Morelos 330
Col. Santa Clara Coatitla
Ecatepec, Estado de México 55540

Toll Free: 01-800-8391200
www.DXV.mx