

INSTALLATION INSTRUCTIONS



Pop™ Above Counter Sinks

Rectangular - model #D20080

Square - model #D20085

Round - model #D20090

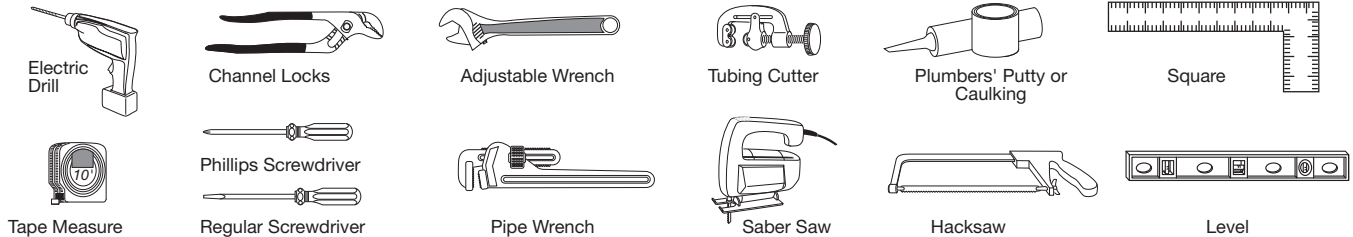
Thank you for selecting DXV. To ensure this product is installed properly, please read these instructions carefully before you begin. (Certain installations may require professional help.) Also be sure your installation conforms to local codes..

⚠ CAUTION: PRODUCT IS FRAGILE. TO AVOID BREAKAGE AND POSSIBLE INJURY HANDLE WITH CARE!

NOTE: Pictures may not exactly define contour of china and components.

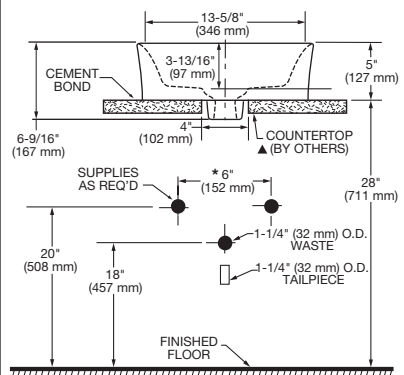
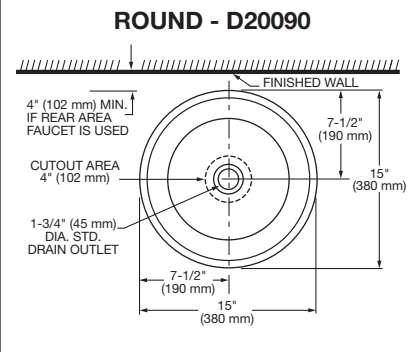
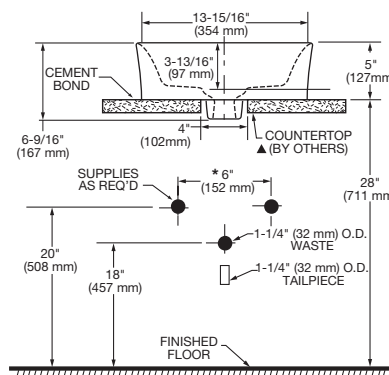
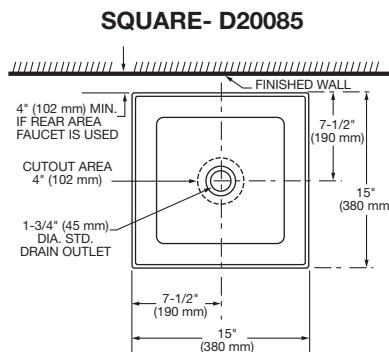
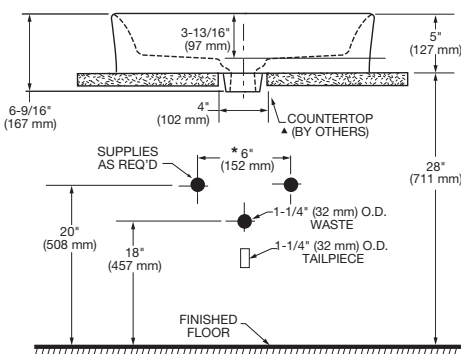
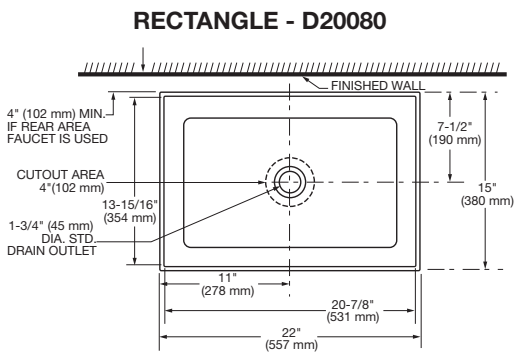
RECOMMENDED TOOLS AND MATERIALS

Most of the procedures require the use of common tools and materials, which are available from hardware and plumbing supply stores. It is essential that the tools and materials be on hand before work has begun.



NOTE: More specialized tools may be necessary to install this sink to countertop materials other than wood or wood composites.

PRODUCT SPECIFICATIONS



NOTES: * DIMENSIONS SHOWN FOR LOCATION OF SUPPLIES AND "P" TRAP ARE SUGGESTED.

SAVE FOR FUTURE USE

VANITY INSTALLATION

Typical installation includes installation of faucet, connection of flexible water supply lines, attachment of basin to countertop, sizing and installation of drain to house water system.

INSTALLING BASIN

- STEP 1.** Using carpenter's square ensure that the countertop is level. Next, carefully position the lavatory in the desired location for the basin. Ensure you have provided proper clearance under the countertop for the faucet, supply lines, drain assembly and the structural parts of the cabinet. Mark desired drain and faucet location on countertop with pencil. Please refer to faucet installation instructions to verify desired faucet rough-in areas.
- STEP 2.** Drill a 4" (102 mm) hole at drain location. Drill a hole at faucet mount location using faucet installation instructions for exact positioning.
- STEP 3.** Position lavatory in place, centering it above the drain hole. Place clear silicone bead around perimeter of lav where lav meets counter.
- STEP 4.** Pre-assemble P-trap drain connections in accordance with manufacturer's instructions. Check that pop-up drain opens and closes properly when drain control is operated.
- STEP 5.** Connect supply lines to shutoff valves and securely tighten nuts.
- STEP 1.** Install faucet and drain in accordance with manufacturer's instructions. Hand tighten drain and add one quarter turn to allow the sink to expand and contract with changing water and room temperatures. If drain leaks, add another quarter turn. Repeat this process until leak stops. Do not over tighten to prevent stress cracks. Turn on water supply valves and water-test installation.
- STEP 1.** Place Ceramic drain cover on top of metal pop-up drain; ensure DXV logo is facing to the front.

PART

7381350-200.XXX0A — Ceramic Drain Cover

In the United States:

DXV
One Centennial Avenue
Piscataway, New Jersey 08855
Attention: Director of Customer Care

For residents of the United States, warranty information may also be obtained by calling the following toll free number: (800) 227-2734
www.DXV.com

In Canada:

DXV
5900 Avebury Road
Mississauga, Ontario
L5R 3M3
Canada

Toll Free: 1-800-387-0369
Local: 905-306-1093
Fax: 1-800-395-1498
www.DXV.ca

In Mexico:

DXV
Via Morelos 330
Col. Santa Clara Coatitla
Ecatepec, Estado de México 55540

Toll Free: 01-800-8391200
www.DXV.mx