

# INSTALLATION INSTRUCTIONS



Fitzgerald®

1.28 gpf / 4.8 Lpf 2-Piece Toilet

Elongated with Seat - Model# D2205CA101

Round Front with Seat - Model# D2205DA101

Thank you for selecting DXV. To ensure this product is installed properly, please read these instructions carefully before you begin. (Certain installations may require professional help.) Also be sure your installation conforms to local codes.

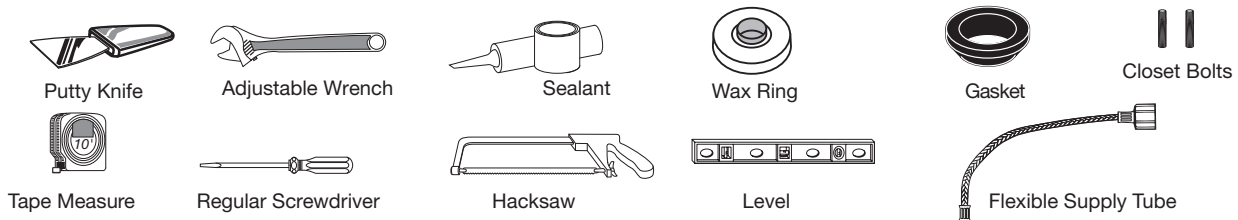
**⚠ CAUTION: PRODUCT IS FRAGILE. TO AVOID BREAKAGE AND POSSIBLE INJURY HANDLE WITH CARE!**

NOTE: Pictures may not exactly define contour of china and components.

**ALL INSTALLATION PROCEDURES MUST COMPLY IN STRICT ACCORDANCE WITH APPLICABLE LOCAL PLUMBING AND BUILDING CODES**

## RECOMMENDED TOOLS AND MATERIALS

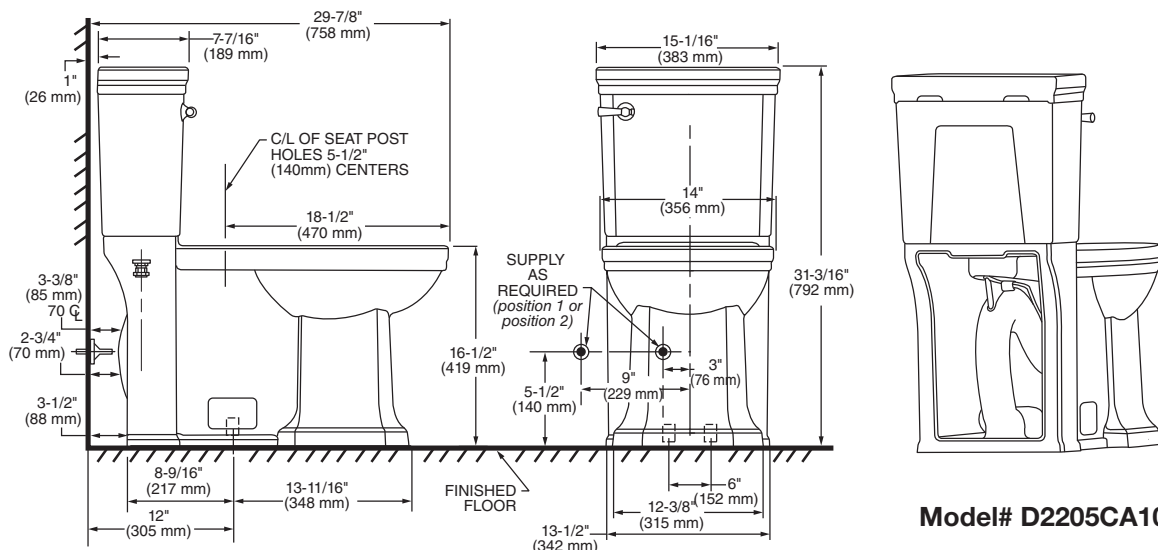
Most of the procedures require the use of common tools and materials, which are available from hardware and plumbing supply stores. It is essential that the tools and materials be on hand before work is begun.



## 1 REMOVE OLD TOILET

- Close toilet supply valve and flush tank completely. Towel or sponge remaining water from tank and bowl.
- Disconnect and remove supply line. **NOTE:** If replacing valve, first shut off main water supply!
- Remove old mounting hardware, remove toilet and plug floor waste opening to prevent escaping sewer gases.
- Remove closet bolts from flange and clean away old wax, putty, etc. from base area.  
**NOTE:** Mounting surface must be clean and level **before** new toilet is installed!

## 2a ROUGHING-IN DIMENSIONS: NOTE: Distance from wall to closet flange centerline must be as listed below:



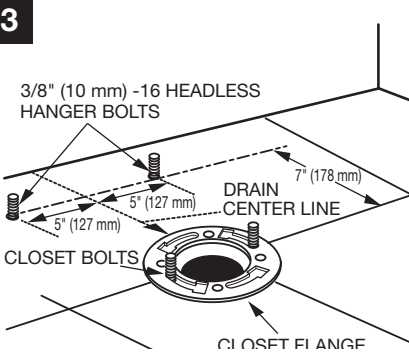
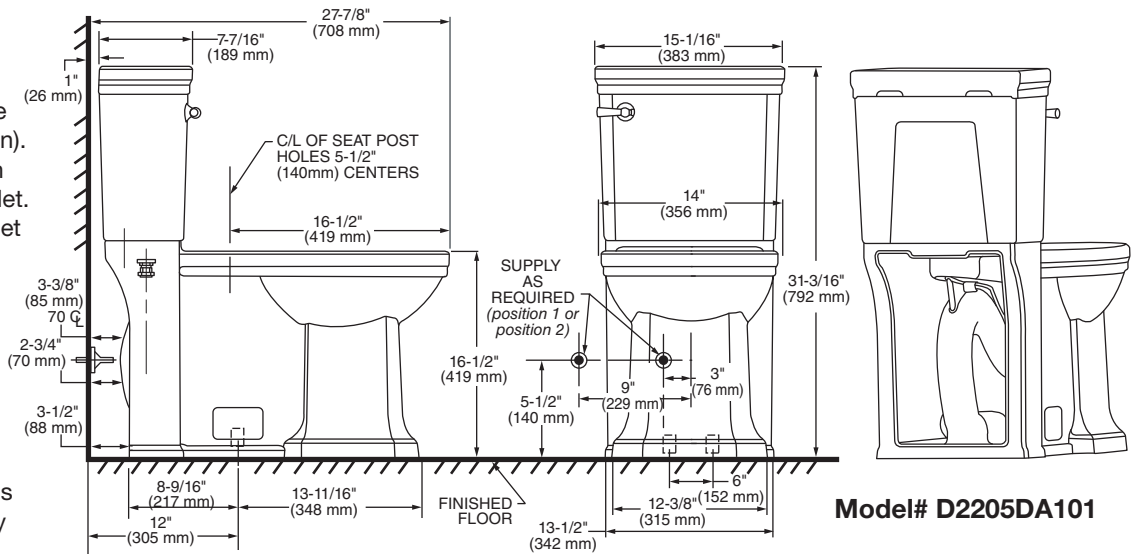
Model# D2205CA101

**IMPORTANT:** Water supply on the wall is required at 3" (76 or 229 mm) from centerline of the toilet (see rough-in). First suggested position is hidden behind the toilet. The geometry of the toilet gives space for this installation. The second suggested position is next to the toilet. Between these two positions, the space for the supply between wall and toilet is limited to 3-1/2" (89 mm). In this case, check your supply and hose dimensions.

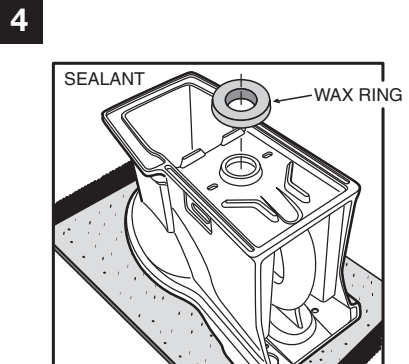
SAVE FOR FUTURE USE

**2b ROUGHING-IN DIMENSIONS:** NOTE: Distance from wall to closet flange centerline must be as listed below:

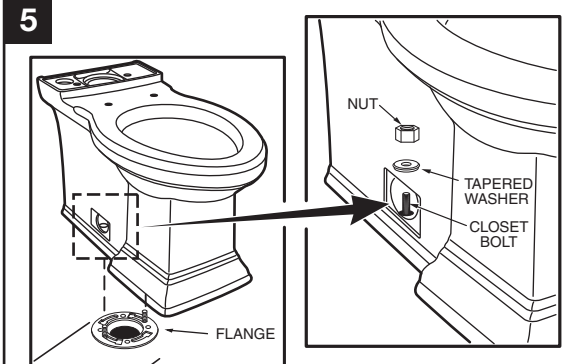
**IMPORTANT:** Water supply on the wall is required at 3" (76 or 229 mm) from centerline of the toilet (see rough-in). First suggested position is hidden behind the toilet. The geometry of the toilet gives space for this installation. The second suggested position is next to the toilet. Between these two positions, the space for the supply between wall and toilet is limited to 3-1/2" (89 mm). In this case, check your supply and hose dimensions.



**INSTALL CLOSET BOLTS**  
Install closet bolts in flange channel, turn 90°, and slide into place 6" (152 mm) apart and parallel to wall.



**INSTALL WAX SEAL**  
Invert toilet on floor (cushion to prevent damage), and install wax ring evenly around waste flange (horn), with tapered end of ring facing toilet. Apply a thin bead of sealant around toilet base.



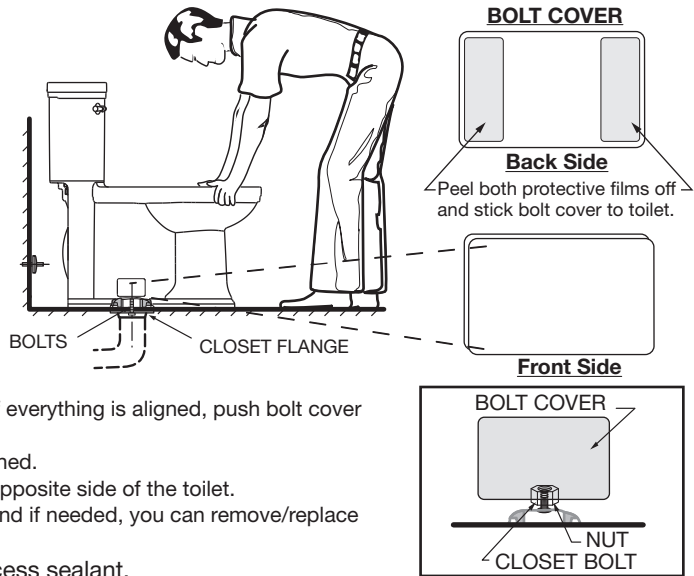
**POSITION TOILET ON FLANGE**  
a. Unplug floor waste opening and install toilet on closet flange so bolts project through mounting holes.  
b. Loosely install retainer washers and nuts. Side of washers marked "THIS SIDE UP" must face up!

**6 INSTALL TOILET**

a. Position toilet squarely to wall and, with a rocking motion, press bowl down fully on wax ring and flange. Alternately tighten nuts until toilet is firmly seated on floor.

**CAUTION:** DO NOT OVERTIGHTEN NUTS OR BASE MAY BE DAMAGED!

- b. Install bolt covers:
1. Make sure that the bolt cover area on the toilet is clean and dry (see figure). Use a dry piece of cloth or soap and water if needed.
  2. Take plastic bolt cover and peel the brown protective film off on both ends. The adhesive part is now visible and ready to be placed on the toilet (see figure).
  3. Gently place the bolt cover on the toilet area (see picture) and if everything is aligned, push bolt cover firmly so it remains in place.
  4. If not aligned, you can still take it off and put it back so it is aligned.
  5. Repeat Step 3 for second bolt cover which is to be placed on opposite side of the toilet.
  6. After 24 hours, the bolt cover adhesive has completely set off and if needed, you can remove/replace as needed. The dual lock technology is now in place.
- c. Smooth off the bead of sealant around base. Remove excess sealant.



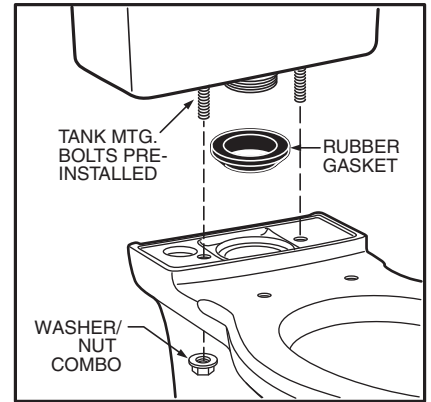
**7** For Tanks/Bowls using Speed Connect System (Tank mounting bolts pre-installed).

**INSTALL TOILET**

- a. Install large rubber gasket over threaded outlet on bottom of tank and lower tank onto bowl so that tapered end of gasket fits evenly into bowl water inlet opening, and tank mounting bolts go through mounting holes. Secure with metal washer/nut combo.
- b. With tank parallel to wall, alternately tighten nuts until tank is snugged down evenly against bowl surface.

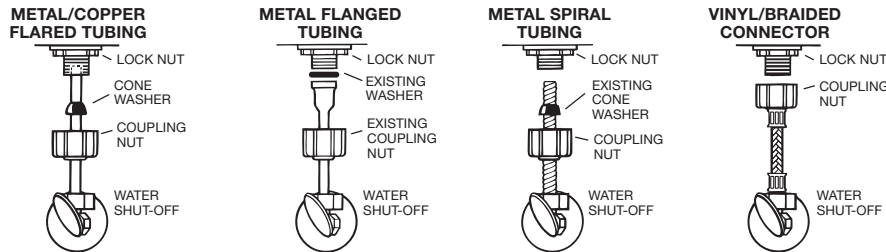
**\* USE INCLUDED TOOL, NUT DRIVER, OR DEEP SOCKET RACHET.**

**⚠ CAUTION: DO NOT OVERTIGHTEN NUTS MORE THAN REQUIRED FOR A SNUG FIT!**



**8** **INSTALL TOILET SEAT** Install toilet seat in accordance with manufacturer's directions.

**9a** Before continuing, determine the type of water supply connection you have from the chart below and use the appropriate assembly parts required to properly reconnect the water supply. **DO NOT** use plumber's putty to seal these fittings.



These parts must be used as illustrated to insure water-tight connection. Use of existing coupling nut may result in water leakage. Water supply tube or pipe must extend at least 1/2" (13 mm) inside threaded shank of valve (does not apply to flanged tubing).

Use existing coupling nut and washer.

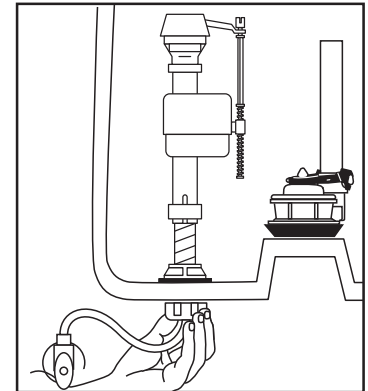
Use existing spiral cone washer. Fluidmaster cone washer may not seal completely on spiral type supply line.

Captive cone washers already included. No additional washers needed.

**CAUTION: DO NOT USE CONE WASHER WITH PLASTIC SUPPLY LINE.**

**CAUTION: Overtightening of LOCK NUT or COUPLING NUT could result in breakage and potential flooding.**

**9b**



With correct washers in place (see Step 9a), tighten COUPLING NUT 1/4 turn beyond hand tight. **DO NOT OVERTIGHTEN.**



**WARNING** Do not use plumber's putty, pipe dope, or any other sealant on the water supply connection to this tank. If the connection leaks after hand tightening, replace the supply line. If the connection continues to leak with the new supply line, replace the fill valve.

**Warranty is void if any type of sealant is used on the water supply connection.**

**10**

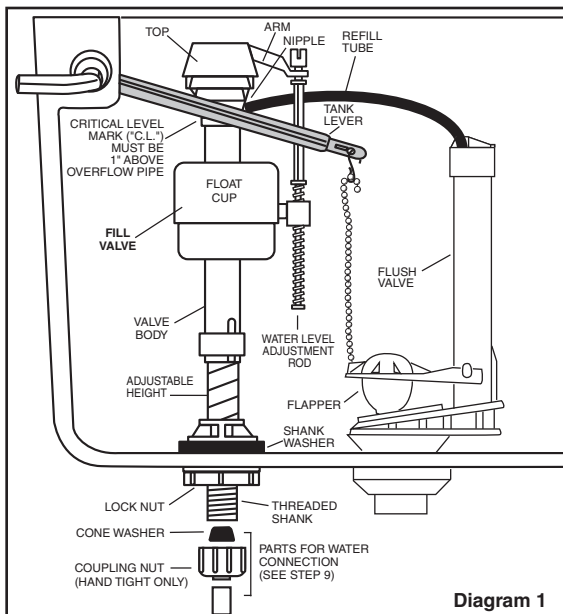


Diagram 1

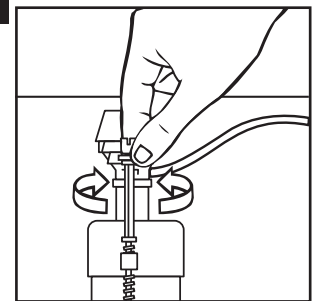
**ADJUSTMENTS**

a. Adjust water level. Water level should be adjusted to level indicated on tank by adjusting float cup.

See Step 11 for water level adjustment method.

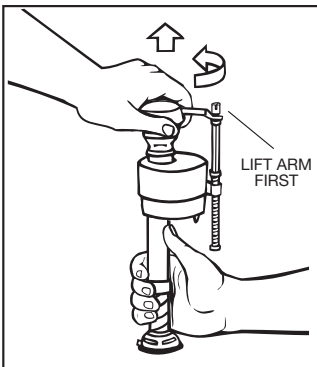
b. If bowl fails to siphon, an adjustment may be required with the lift chain. Simply remove the bead chain from the retainment clip (see Diagram 1) and take up slack on the chain, and reinsert on lift rod. Make sure the chain is not too tight.

**11**



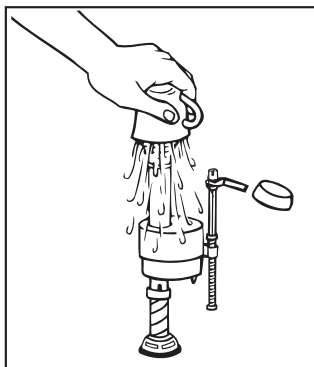
Turn on water supply. Submerge the FLOAT CUP under the water for 30 seconds. Adjust the water to desired level by turning WATER LEVEL ADJUSTMENT ROD and moving FLOAT CUP up or down.

**NOTE: Pictures are representative and may not exactly depict the flush valve.**

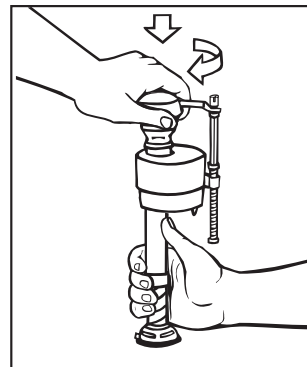


**IMPORTANT: Always clear sand and rust from system.**

- Make sure water supply is off. Remove valve TOP by lifting arm and rotating top and arm 1/8 turn counterclockwise, pressing down slightly on cap.



- While holding a container over the uncapped VALVE to prevent splashing, turn water supply on and off a few times. Leave water supply off.



- Replace TOP by engaging lugs and rotating 1/8 turn clockwise. MAKE CERTAIN TIP IS TURNED TO THE LOCKED POSITION. VALVE MAY NOT TURN ON IF TOP IS NOT FULLY TURNED TO THE LOCKED POS

**TROUBLESHOOTING**

**IF FILL VALVE SHUTS OFF BUT CONTINUES TO LEAK SLOWLY**, repeat Step 11.

**IF FILL VALVE TURNS OFF AND ON DURING PERIODS OF NON-USE**, it is a signal you are wasting water because:

- The end of the refill tube is inserted into overflow pipe, below water level in tank. Attach refill tube to overflow pipe using "S" clip provided.
- The flush valve is leaking because it's worn, dirty or misaligned with tank ball or flapper (replace with a new flapper). **IF FILL VALVE WON'T TURN ON OR SHUT OFF or REFILL OF TANK WATER IS SLOW after valve has been in use for some time**, Fluidmaster Model 242 Replacement Seal may be needed.

**Go to our website at [www.fluidmaster.com](http://www.fluidmaster.com) for more solutions to toilet problems.**

For troubleshooting information please contact:

**Fluidmaster** Inc  
 30800 Rancho Viejo Road  
 San Juan Capistrano, CA 92675  
 (949) 728-2000 (800) 631-2011  
[www.fluidmaster.com](http://www.fluidmaster.com)

© 2001 Fluidmaster, Inc.  
 ® Registered trademark of Fluidmaster, Inc.

Always use quality Fluidmaster repair parts when maintaining your Fluidmaster products. Fluidmaster shall not be responsible or liable for any damages caused by products used with Fluidmaster valves that were not manufactured by Fluidmaster, Inc.

**PARTS LIST**

Repair parts are determined by toilet tank number which can be found marked inside tank.

**NOTE:** "XXX" represents color options. Specify when ordering.

		<b>ROUND FRONT COMBO NUMBER</b>	<b>ELONGATED COMBO NUMBER</b>
		<b>D2205DA101</b>	<b>D2205CA101</b>
		<b>1.28 gpf</b>	<b>1.28 gpf</b>
<b>COMPONENT</b>	<b>DESCRIPTION</b>		
D24005A.101.XXX	Fitzgerald® TANK - 1.28 gpf (with valves and lever)	√	√
7381344-200.XXX	TRIP LEVER	√	√
7381073-200.XXX0A	BOLT CAP KIT	√	√
7301494-0070A	TANK COUPLING KIT #261	√	√
738916-100.0070A	REFILL TUBE - 5 INCH	√	√
735191-400.XXX	TANK COVER	√	√
738921-104.0070A	FLUSHVALVE ASSEMBLY (HET) - 3 INCH (INCLUDES FLAPPER)	√	√
7381043-400.0070A	FLAPPER ASSEMBLY (HET) - 3 INCH	√	√
738565-446.0070A	FLUIDMASTER 400A VALVE INLET VALVE	√	√
5004A.10G.XXX	SLOW CLOSE TRADITIONAL ELONGATED SEAT		√
5004B.10G.XXX	SLOW CLOSE TRADITIONAL ROUND FRONT SEAT	√	

## TROUBLESHOOTING GUIDE

PROBLEM	POSSIBLE CAUSE	CORRECTIVE ACTION
Does not flush	a. Water supply valve closed.	a. Open valve and allow water to fill tank.
	b. Water supply line blocked.	b. Shut off water supply, disconnect supply line and inspect all gaskets and washers. Reassemble. Also, see Fluidmaster maintenance.
	c. Flush valve chain too loose or disconnected.	c. Readjust chain length as required.
	d. Sand or debris lodged in water control.	d. Shut off water supply. Remove cap and clean as per Step 11.
Poor or sluggish flush	a. Bowl water level too low.	a. Check that refill tube is connected to water control and inserted into tank overflow without being kinked or damaged.
	b. Supply valve partly closed.	b. Open supply valve fully. Be sure that proper supply tube size is used.
	c. Partially clogged trapway and/or drain pipe and/or vent.	c. Remove obstruction. Consult a plumber if necessary.
	d. Supply pressure too low.	d. Normal supply pressure must be at least 20 psi.
Toilet leaks	a. Poor supply line connection.	a. Review Step 9a and 9b of installation procedure.
	b. Poor bowl to tank/floor connection.	b. Review Step 4 through 7 of installation procedure.
Toilet does not shut off	a. Flush valve chain too tight, holding flush valve open.	a. Readjust chain length as needed. Review Step 10.
	b. Flush valve seat and/or flapper worn or deformed.	b. Shut off water supply. Replace flush valve.
	c. Sand or debris lodged in water control.	c. Shut off water supply. Remove cap and clean per Step 11

**In the United States:**

DXV  
One Centennial Avenue  
Piscataway, New Jersey 08855  
Attention: Director of Customer Care

For residents of the United States, warranty information may also be obtained by calling the following toll free number: (800) 227-2734  
[www.DXV.com](http://www.DXV.com)

**In Canada:**

DXV  
5900 Avebury Road  
Mississauga, Ontario  
L5R 3M3  
Canada

Toll Free: 1-800-387-0369  
Local: 905-306-1093  
Fax: 1-800-395-1498  
[www.DXV.ca](http://www.DXV.ca)

**In Mexico:**

DXV  
Via Morelos 330  
Col. Santa Clara Coatitla  
Ecatepec, Estado de México 55540

Toll Free: 01-800-8391200  
[www.DXV.mx](http://www.DXV.mx)