



OAK HILL™

FREESTANDING SOAKING TUB WITH FEET



D12025014.239

FEATURES

- Classic slipper acrylic tub with high back design
- Acrylic with fiberglass reinforcement
- Easy to clean high gloss finish
- Designed for floor or wall mount tub fillers only
- Decorative tub drain and overflow kit (sold separately)
- Comes with (4) tub feet in Weathered Oak finish

DIMENSIONS

NOMINAL DIMENSIONS

66" x 36" x 29-3/4" (1676 x 914 x 756 mm)

COLORS/FINISHES

Tub: Canvas White (415),

Tub Drain & Overflow Kit: Polished Chrome (100)
Brushed Nickel (144)
Platinum Nickel (150)
Satin Brass* (427)

*Available October 2015

COMPONENT

D11000000.XXX - Tub Drain and Overflow Kit (required)

COMPLIANCE CERTIFICATIONS

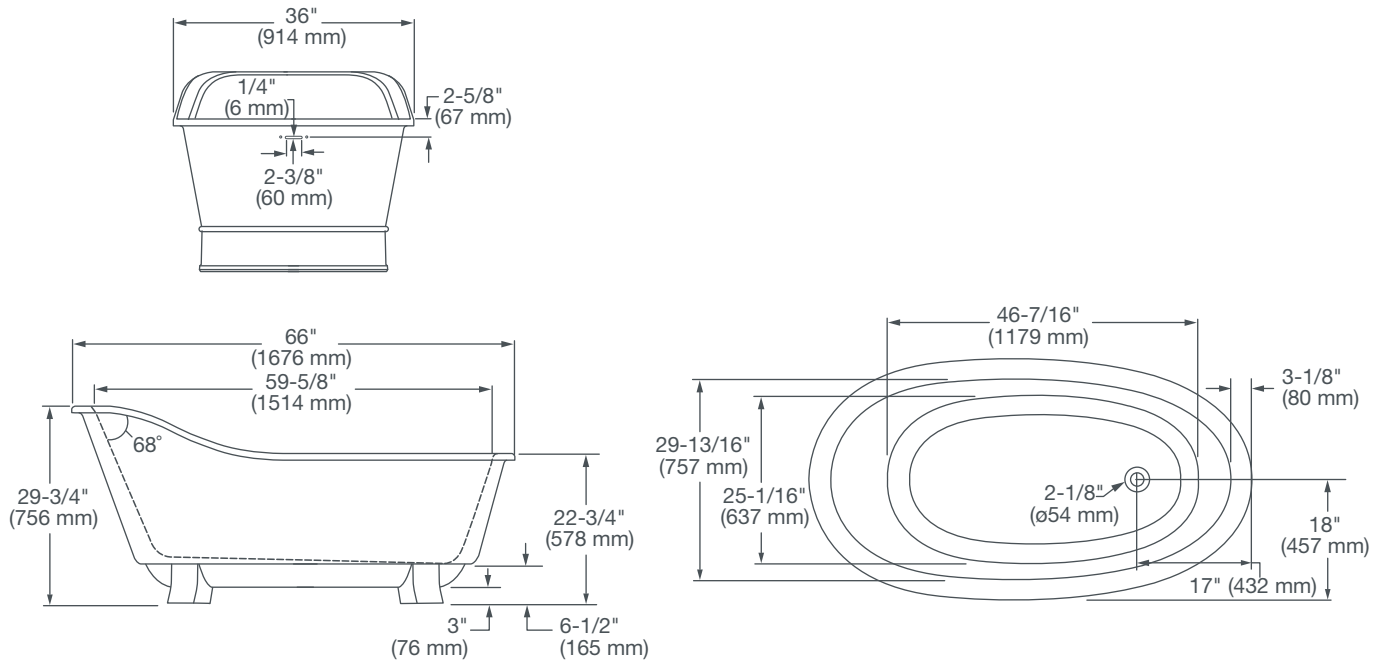
Meets or Exceeds CSA B45.5/IAPMO Z124

ROUGH IN DIAGRAM SHOWN
ON NEXT PAGE



OAK HILL™

FREESTANDING SOAKING TUB WITH FEET



NOTES:

Refer to installation instructions supplied with bathing pool for additional information. Fittings not included and must be ordered separately. Provide suitable reinforcement for all supports.

Dimensions of fixtures are nominal and may vary within the range of tolerances established by CSA B45.5/IAPMO Z124. These measurements are subject to change or cancellation. No responsibility is assumed for use of superseded or voided leaflet.