

# INSTALLATION INSTRUCTIONS

## Lyndon™ Dual Flush Concealed Trapway

Right Height®, Elongated Model D2210AA.200



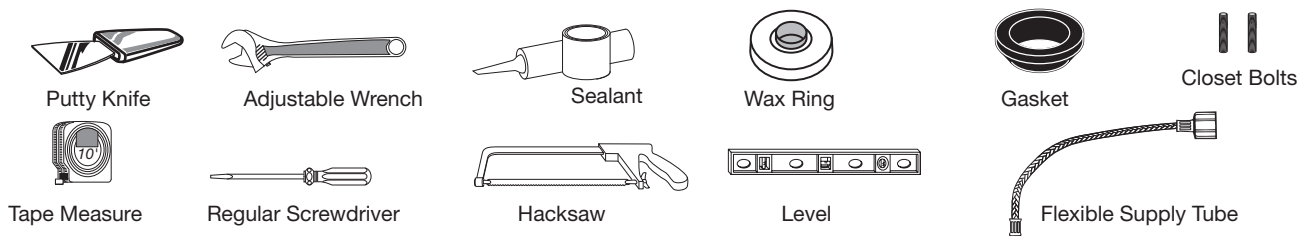
AMERICAN STANDARD

Thank you for selecting DXV by American Standard. To ensure this product is installed properly, please read these instructions carefully before you begin. (Certain installations may require professional help.) Also be sure your installation conforms to local codes.

**▲ CAUTION: PRODUCT IS FRAGILE. TO AVOID BREAKAGE AND POSSIBLE INJURY HANDLE WITH CARE!**  
NOTE: Pictures may not exactly define contour of china and components.

### RECOMMENDED TOOLS AND MATERIALS

Most of the procedures require the use of common tools and materials, which are available from hardware and plumbing, supply stores. It is essential that the tools and materials be on hand before work is begun.



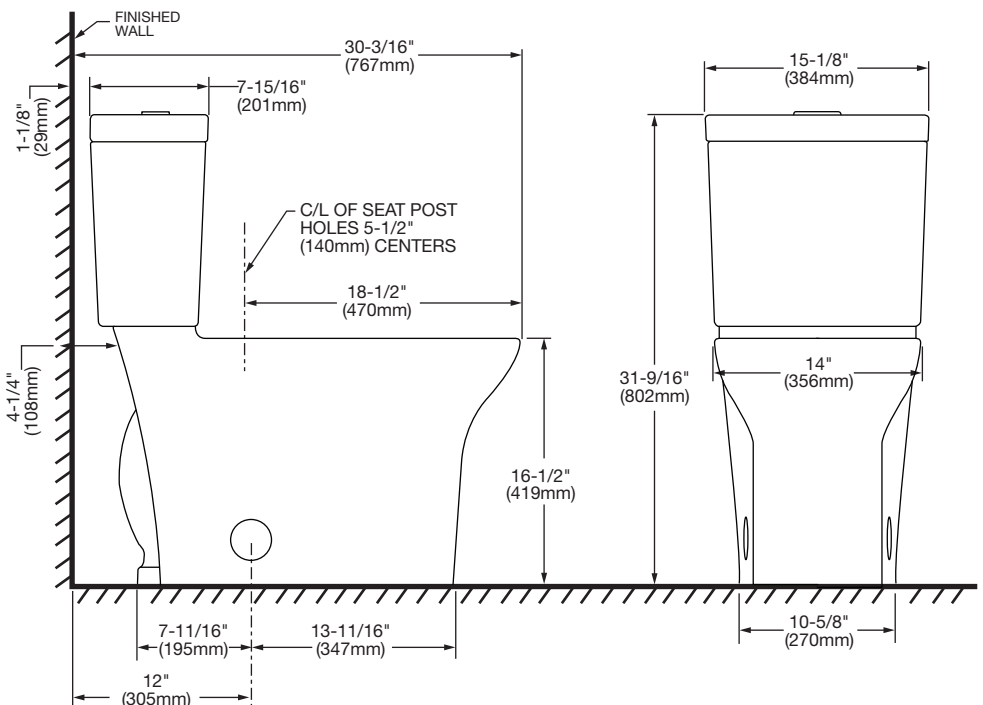
### 1 REMOVE OLD TOILET

- Close toilet supply valve and flush tank completely. Towel or sponge remaining water from tank and bowl.
- Disconnect and remove supply line. NOTE: *If replacing valve, first shut off main water supply!*
- Remove old mounting hardware, remove toilet and plug floor waste opening to prevent escaping sewer gases.
- Remove closet bolts from flange and clean away old wax, putty, etc. from base area.  
NOTE: *Mounting surface must be clean and level before new toilet is installed!*

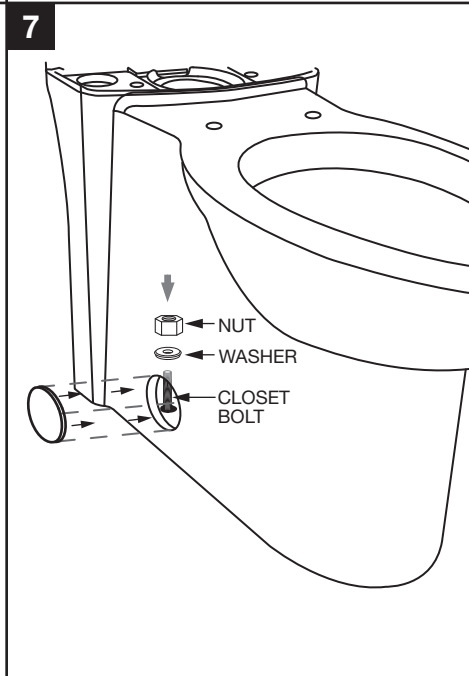
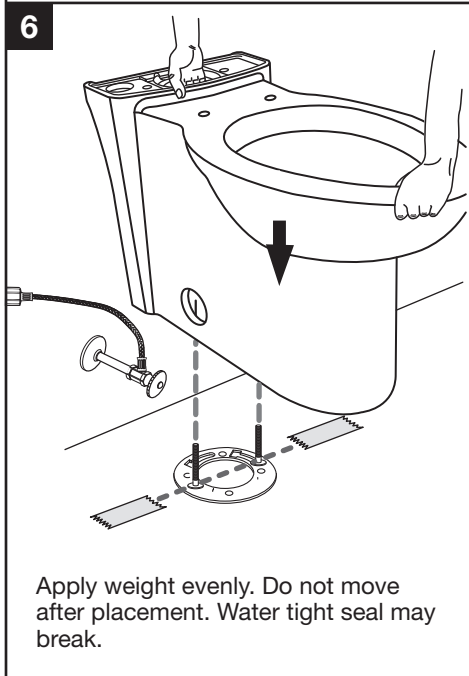
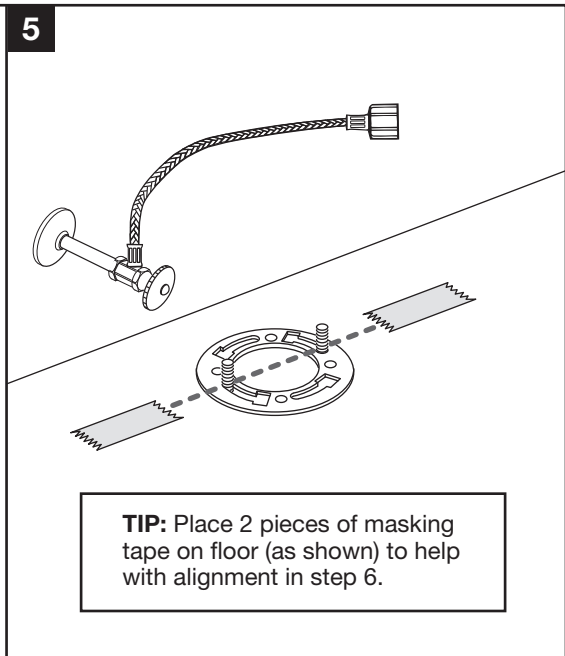
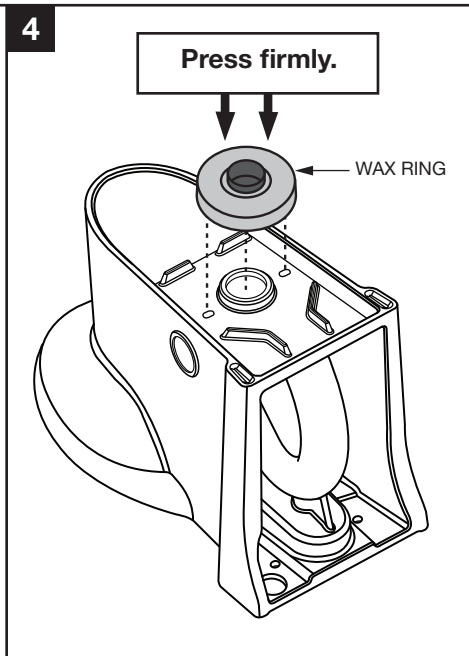
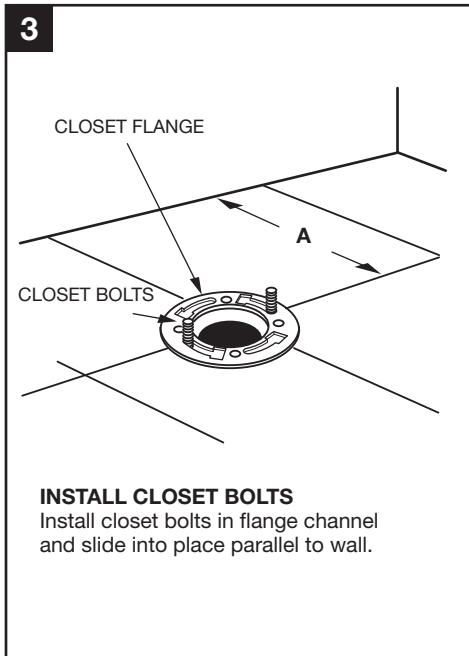
### 2 ROUGHING-IN DIMENSIONS:

**NOTE:** Distance from wall to closet flange centerline must be as listed below:

**IMPORTANT:** Water supply on the wall is required at 2-1/4" or 8" from centerline of the toilet (see rough-in). First suggested position is hidden behind the toilet. The geometry of the toilet gives space for this installation. The second suggested position is next to the toilet. Between these two positions, the space for the supply between wall and toilet is limited to 4-1/2". In this case, check your supply and hose dimensions.



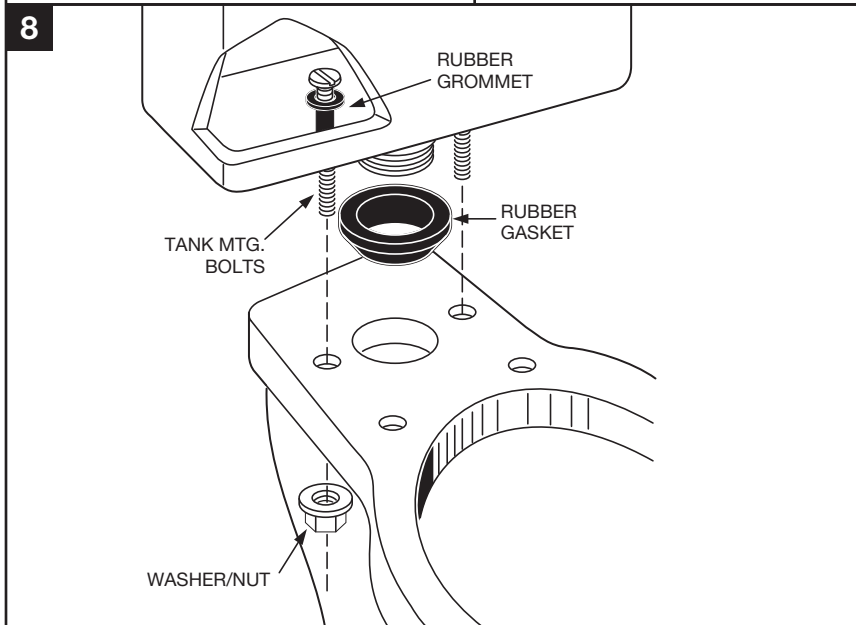
SAVE FOR FUTURE USE



**\* For seat installation, see instructions included with seat.**

**⚠ WARNING:**  
Overtightening of water supply line nuts could result in breakage and potential flooding. If the connection leaks after hand tightening, replace the supply line. Do not use any type of sealant on the water supply connection.

**⚠ Use of plumber's putty, pipe dope, or any other type of sealant will void the warranty.**



- INSTALL TANK**
- Insert rubber grommets through holes in the tank then insert bolts through holes in the grommets.
  - Install large rubber gasket over threaded outlet on bottom of tank and lower tank onto bowl so that tapered end of gasket fits evenly into bowl water inlet opening.
  - With tank parallel to wall, alternately tighten nuts until tank is snugged down evenly against bowl surface.

**⚠ CAUTION:**  
DO NOT OVERTIGHTEN NUTS MORE THAN REQUIRED FOR A SNUG FIT!

9

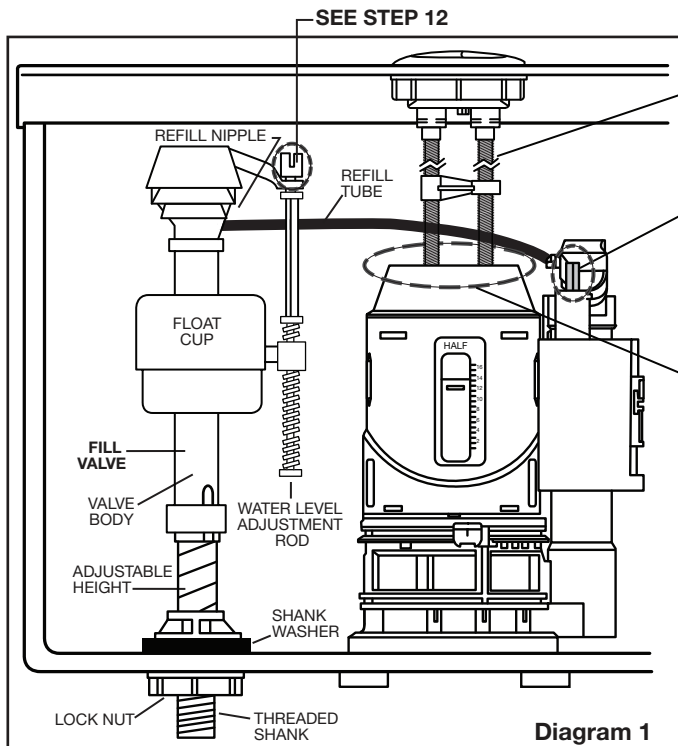


Diagram 1

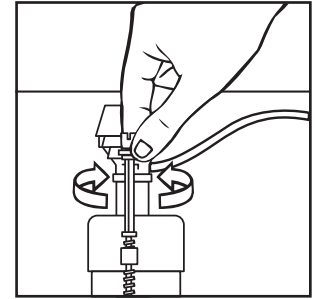
Rod Adjustment  
**SEE STEP 11**

**IMPORTANT:**

Refill Float Adjustment  
If short flush does not refill the bowl, turn thumbscrew CCW 1 turn, flush, repeat if necessary.

Install and adjust push button rods for about 1/16" (1-1/2mm) clearance between rod end and valve button.  
**SEE STEP 11 - TIPS**

10

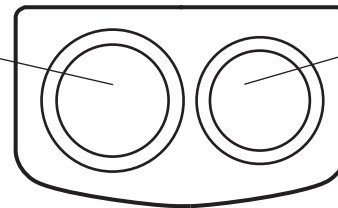


Turn on water supply. Submerge the FLOAT CUP under the water for 30 seconds. Adjust the water to desired level by turning WATER LEVEL ADJUSTMENT ROD and moving FLOAT CUP up or down.

**11 FLUSH PUSH BUTTONS**

- The large flush button should line up over the white actuator on the flush tower in the tank.
- The small flush button should line up over the gray actuator on the flush tower in the tank.
- Pressing both buttons at once will result in a short flush.

**LARGE FLUSH BUTTON  
FOR SOLID WASTE**  
1.28 gal/flush  
4.8 Liter/flush

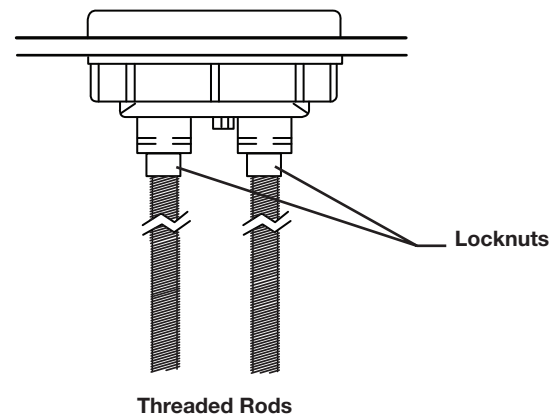


**SMALL FLUSH BUTTON  
FOR LIQUID WASTE**  
1.0 gal/flush  
3.8 Liter/flush

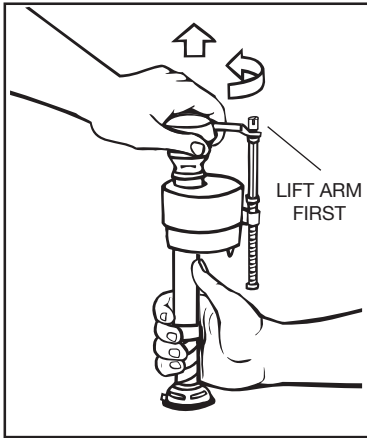
**TIPS:**

With the lid removed, directly press the flush button in the tank to confirm that the toilet is working properly. If not, follow troubleshooting guide.

1. Install Threaded Rods into holes in bottom of push buttons approximately 1/2" (12mm).
2. Lightly snug Locking Nut.
3. Place Lid on Tank.
4. Push Button to test flush. If more stroke is needed, loosen Locknut and turn Threaded Rod counterclockwise one (1) turn.
5. Replace Lid. Repeat until flush action is achieved.
6. If Valve stays open, turn Threaded Rod clockwise one (1) turn and lightly snug Locknut.

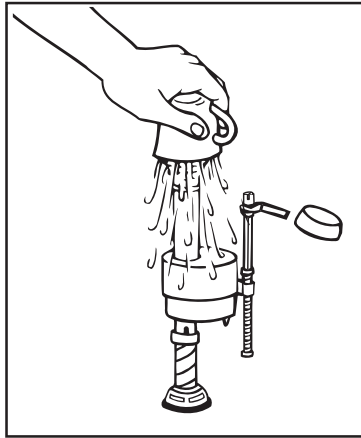


**NOTE: Pictures are representative and may not exactly depict the flush valve.**

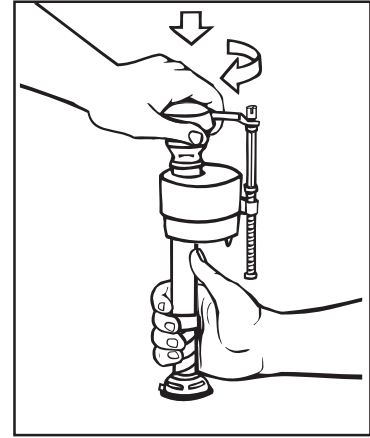


**IMPORTANT: Always clear sand and rust from system.**

- Make sure water supply is off. Remove valve TOP by lifting arm and rotating top and arm 1/8 turn counterclockwise, pressing down slightly on cap.



- While holding a container over the uncapped VALVE to prevent splashing, turn water supply on and off a few times. Leave water supply off.



- Replace TOP by engaging lugs and rotating 1/8 turn clockwise. MAKE CERTAIN TIP IS TURNED TO THE LOCKED POSITION. VALVE MAY NOT TURN ON IF TOP IS NOT FULLY TURNED TO THE LOCKED POSITION.

## TROUBLESHOOTING

**IF FILL VALVE SHUTS OFF BUT CONTINUES TO LEAK SLOWLY**, repeat Step 15.

**IF FILL VALVE TURNS OFF AND ON DURING PERIODS OF NON-USE**, it is a signal you are wasting water because:

- The end of the refill tube is inserted into overflow pipe, below water level in tank. Attach refill tube to overflow pipe using "S" clip provided.
- The flush valve is leaking because it's worn, dirty or misaligned with tank ball or flapper (replace with a new flapper).

**IF FILL VALVE WON'T TURN ON OR SHUT OFF or REFILL OF TANK WATER IS SLOW after valve has been in use for some time**, Fluidmaster Model 242 Replacement Seal may be needed.

Go to our website at [www.fluidmaster.com](http://www.fluidmaster.com) for more solutions to toilet problems.

Always use quality Fluidmaster repair parts when maintaining your Fluidmaster products. Fluidmaster shall not be responsible or liable for any damages caused by products used with Fluidmaster valves that were not manufactured by Fluidmaster, Inc.

For troubleshooting information please contact:

**Fluidmaster Inc**

30800 Rancho Viejo Road  
San Juan Capistrano, CA 92675  
(949) 728-2000 (800) 631-2011  
[www.fluidmaster.com](http://www.fluidmaster.com)

© 2001 Fluidmaster, Inc.  
© Registered trademark of Fluidmaster, Inc.

## REPAIR PARTS - See list label under the tank cover

### TROUBLESHOOTING GUIDE

PROBLEM	POSSIBLE CAUSE	CORRECTIVE ACTION
Does not flush	a. Water supply valve closed. b. Water supply line blocked. c. Sand or debris lodged in water control.	a. Open valve and allow water to fill tank. b. Shut off water supply, disconnect supply line and inspect all gaskets and washers. Reassemble. c. See Fluidmaster maintenance. (see Step 15)
Poor or sluggish flush	a. Tank water too low. b. Bowl water too low. c. Water supply valve partly closed. d. Partially clogged trapway and/or drain pipe and/or vent. e. Supply pressure too low.	a. Check that the water level is set to the mark inside the tank. b. Check that the refill tube is connected to the water control and flush valve port. Adjust refill float down until bowl water is restored. (see Step 11) c. Open water supply valve fully. Be sure that proper supply tube size is used. d. Remove obstruction. Consult a plumber if necessary. e. Minimum water supply pressure - 20psi. Wait for tank to refill.
Toilet leaks	a. Poor supply line connection. b. Poor bowl to floor connection.	a. Review Step 9. b. Review Step 6.
Toilet does not shut off	a. Flush valve seal leaking or deformed. b. Sand or debris lodged in water control. c. Water level set too high.	a. Clean debris from seal surface. Replace flush valve seal as needed. b. See Step 15 Fluidmaster maintenance. c. Set water level to mark on back of tank.

#### In the United States:

DXV by American Standard  
One Centennial Avenue  
Piscataway, New Jersey 08855  
Attention: Director of Customer Care

For residents of the United States, warranty information may also be obtained by calling the following toll free number: (800) 227-2734 [www.DXV.com](http://www.DXV.com)

#### In Canada:

DXV by American Standard  
5900 Avebury Road  
Mississauga, Ontario  
L5R 3M3  
Canada

Toll Free: 1-800-387-0369  
Local: 905-306-1093  
Fax: 1-800-395-1498  
[www.DXV.ca](http://www.DXV.ca)

#### In Mexico:

DXV by American Standard  
Via Morelos 330  
Col. Santa Clara Coatitla  
Ecatepec, Estado de México 55540

Toll Free: 01-800-8391200  
[www.DXV.mx](http://www.DXV.mx)